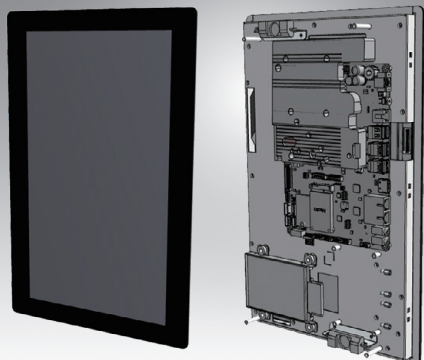


UTC-215

15.6" Open-frame panel PC UTC-215F with Intel® Core™ i5-6300U UTC-215G with Intel® Pentium® N4200

Preliminary



Features

- Available for embedded into kiosk chassis and wall mount type
- One-piece and fan-less design
- Rich screen size and core from UTC series
- Rich IO for extensional peripherals connection
- Built-in Intel® Core™ i5-6300U (UTC-215F)
- Built-in Intel® Pentium® N4200 (UTC-215G)
- Providing Natural Viewing Experience with 15.6" Display
- Could be take as monitor only

Introduction

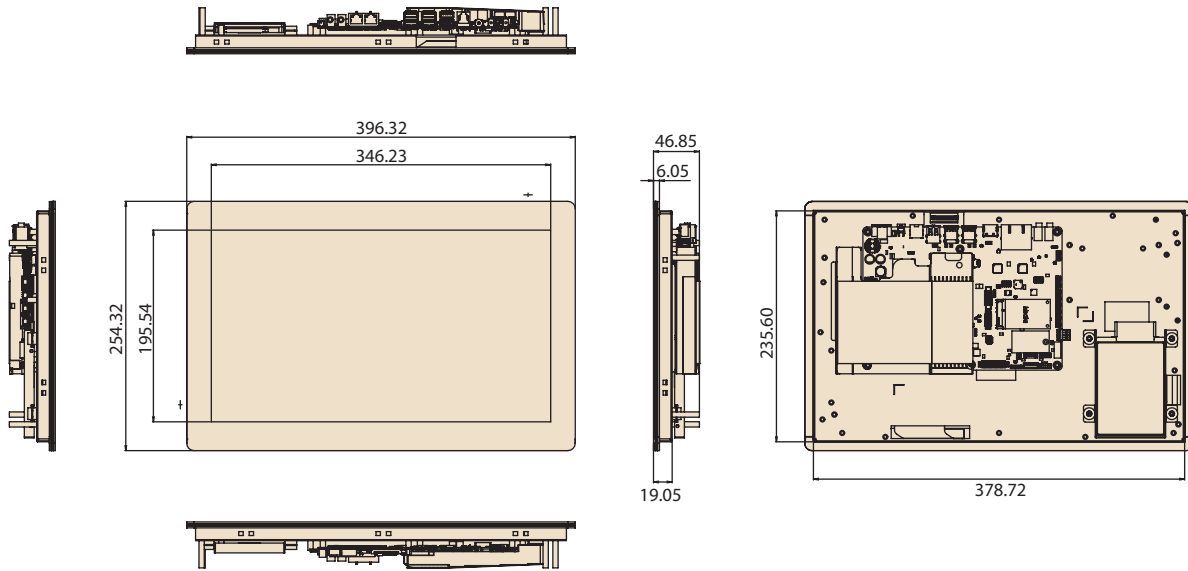
UTC-215 features one-piece solution and fan-less design that easy to embedded into kiosk chassis or wall mount type. Continuation of the advantage from UTC series, It is easy to integrate key peripherals and display systems for diversified self-service and interactive signage deploy in different application areas. The systems deliver updated information with well-designed interactive interfaces, fully ensure relevant content and targeted promotions are delivered.

Specifications

Processor System	CPU	Intel® Core™ i5-6300U (UTC-215F)	Intel® Pentium® N4200 (default) (UTC-215G) Intel® Celeron® N3350 (available)
	Basic Frequency	2.4GHz (Duo Core)	1.10 GHz (Quad-Core)
	L2 Cache MB	L3 Cache 3MB	L2 Cache 2MB
	Memory	1 x SO-DIMM DDR4 2133 MHz up to 16 GB	1 x SO-DIMM DDR3L 1866 MHz up to 8GB
	HDD	1 x 2.5 internal SATA HDD bay	
	Network	2 x Gigabit Ethernet ports (RJ-45)	
	I/O ports	1 x RS-232 (Option) 1x RS232 / 422 /485 (Option) 2 x USB 2.0 / 4 x USB 3.0 2 x Gigabit Ethernet (RJ-45) 1 x HDMI 1 x RJ-11 Audio Line-out x 1, Mic-in x 1	1 x RS-232 (Option) 1x RS232 / 422 /485 (Option) 2 x USB 2.0 / 4 x USB 3.0 2 x Gigabit Ethernet (RJ-45) 1 x HDMI 1 x RJ11 Audio Line-out x 1, Mic-in x 1
	Stereo Speaker	2W x 2 (optional)	
	Bus expansion	Full-size MiniPCIe/mSATA	M.2 2230/mSATA
	Dimensions (W x H x D)	418.32 x 276.32 x 40.05 mm	
	Weight	3.1kg	
OS Support	WES 7P 32bit / WES 7E 32bit Windows Pro Embedded 7 SP1 64bit WE8S 64bit Windows Embedded 8.1 Industry Pro 64bit Win 10 IoT Enterprise 64bit /Linux	Win 10 IoT Enterprise 64bit Android 6.0/8.1/10 Linux	
Environmental Specifications	Operating Temperature	0 ~ 40 °C (32 ~ 104 °F)	
	Relative Humidity	10 ~ 95% @ 40 °C non-condensing	
	Vibration	0.5G	
	Shock	5G peak acceleration (11 msec. duration)	
Power Supply	Input Rating	12-30V/7A (84W ITE Adapter)	12 V/7 A (84W ITE Adapter) *12-30V Optional
	Power consumption	Typical 32W Max. 70W	
LCD Display	Size/Type	15.6" TFT LCD	
	Max.Resolution	1920 x 1080	
	Pixel Pitch	0.17925 (H) X 0.17925 (V)	
	Brightness (cd/m ²)	220	
	View Angle	90°/60°	
Touch Screen Option (PE/RE/GE)	Type	Projected Capacitive Touch Panel (Pcap. Flat Glass) / Glass Panel	
	Light Transmission	P-Cap Touch: 90% ± 2%	
	Controller	USB Interface	

Dimensions

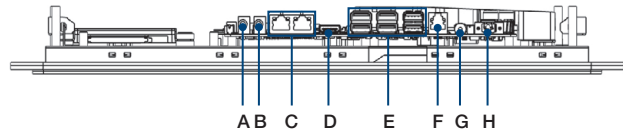
Unit: mm



Ordering Information

Part No.	Description
UTC-215FP-AT00E	15.6" P T/S, Core i5 6300U, 4GB RAM, Open-frame
UTC-215GP-AT00E	15.6" P T/S, Pentium N4200, 4GB RAM, Open-frame
1702002605	Power cord 2P FRANCE 10A/16A 220V 1.83M 90D
1702002600	Power Cord 3P UL/CSA(USA) 125V 10A 1.83M 180D
1700000596-11	Power Cord (China) CCC,10A 250V, 3P 1830mm
1700018704	Power Cord UK BSI 2P 10A 250V 180cm 18AWG
1700000237	Power Cord PSE 3P 12A 125V 183cm
1700001714	Power Cord BSMI 3P 7A 125V 183cm

I/O View



- A. Line-out
- B. Mic in
- C. LAN Port x 2
- D. HDMI
- E. USB 2.0 x 2 / USB 3.0 x 4
- F. RJ-11
- G. Power Button
- H. DC input