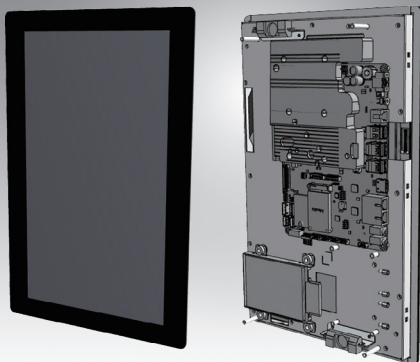


UTC-216

15.6" Open-frame panel PC UTC-216F with Intel® Core™ i5-6300U UTC-216G with Intel® Pentium® N4200

Preliminary



Features

- Available for embedded into kiosk chassis and wall mount type
- One-piece and fan-less design
- Rich screen size and core from UTC series
- Rich IO for extensional peripherals connection
- Built-in Intel® Core™ i5-6300U (UTC-216F)
- Built-in Intel® Pentium® N4200 (UTC-216G)
- Providing Natural Viewing Experience with 15.6" Display
- Could be take as monitor only

CE FCC

Introduction

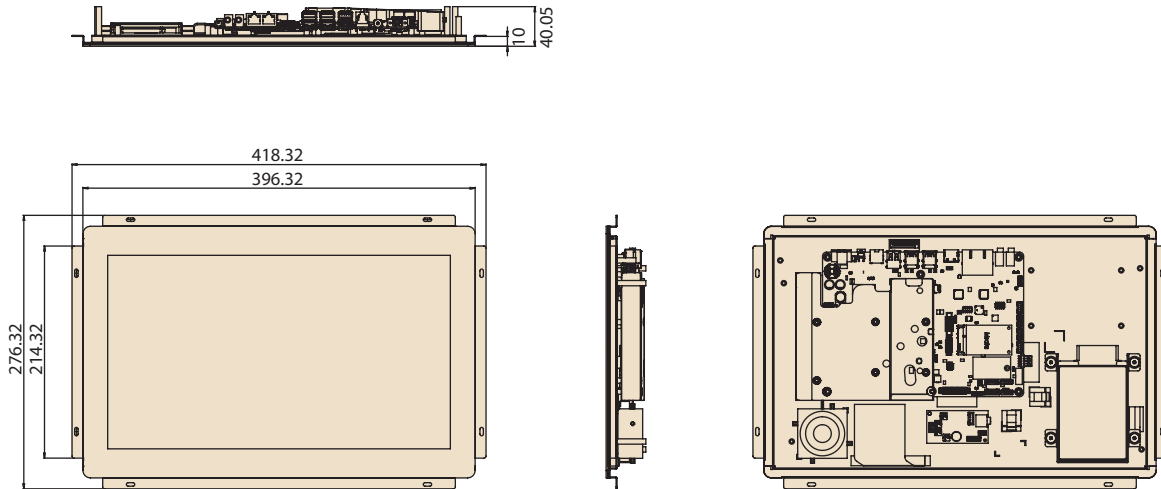
UTC-216 features one-piece solution and fan-less design that easy to embedded into kiosk chassis or wall mount type. Continuation of the advantage from UTC series, It is easy to integrate key peripherals and display systems for diversified self-service and interactive signage deploy in different application areas. The systems deliver updated information with well-designed interactive interfaces, fully ensure relevant content and targeted promotions are delivered.

Specifications

Processor System	CPU	Intel® Core™ i5-6300U (UTC-216F)	Intel® Pentium® N4200 (default) (UTC-216G) Intel® Celeron® N3350 (available)
	Basic Frequency	2.4GHz (Duo Core)	1.10 GHz (Quad-Core)
	L2 Cache MB	L3 Cache 3MB	L2 Cache 2MB
	Memory	1 x SO-DIMM DDR4 2133 MHz up to 16 GB	1 x SO-DIMM DDR3L 1866 MHz up to 8GB
	HDD	1 x 2.5 internal SATA HDD bay	
	Network	2 x Gigabit Ethernet ports (RJ-45)	
	I/O ports	1 x RS-232 (Option) 1x RS232 / 422 /485 (Option) 2 x USB 2.0 / 4 x USB 3.0 2 x Gigabit Ethernet (RJ-45) 1 x HDMI 1 x RJ-11 Audio Line-out x 1, Mic-in x 1	1 x RS-232 (Option) 1x RS232 / 422 /485 (Option) 2 x USB 2.0 / 4 x USB 3.0 2 x Gigabit Ethernet (RJ-45) 1 x HDMI 1 x RJ11 Audio Line-out x 1, Mic-in x 1
	Stereo Speaker	1W x 2 (optional)	
	Bus expansion	Full-size MiniPCIe/mSATA	M.2 2230/mSATA
	Dimensions (W x H x D)	418.32 x 276.32 x 40.05 mm	
Weight	3.1kg		
OS Support	WES 7P 32bit / WES 7E 32bit Windows Pro Embedded 7 SP1 64bit WE8S 64bit Windows Embedded 8.1 Industry Pro 64bit Win 10 IoT Enterprise 64bit/Linux Ubuntu 16.04	Win 10 IoT Enterprise 64bit Android 6.0 Linux Ubuntu 18.04	
Environmental Specifications	Operating Temperature	0 ~ 40 °C (32 ~ 104 °F)	
	Relative Humidity	10 ~ 95% @ 40 °C non-condensing	
	Vibration	0.5G	
	Shock	5G peak acceleration (11 msec. duration)	
	EMC/ Safety	CE, FCC	
Power Supply	Input Rating	12-30V/7A (84W ITE Adapter)	12 V/7 A (84W ITE Adapter) *12-30V Optional
	Power consumption	Typical 32W Max. 70W	
LCD Display	Size/Type	15.6" TFT LCD	
	Max.Resolution	1920 x 1080	
	Max. Color	16.7M	
	Pixel Pitch (um)	252(H) x 252(V)	
	Brightness (cd/m ²)	220	
View Angle	170°/160°		
Touch Screen Option (PE/RE/GE)	Type	Projected Capacitive Touch Panel (Pcap. Flat Glass) / Glass Panel	
	Light Transmission	P-Cap Touch: 90% ± 2%	
	Controller	USB Interface	

Dimensions

Unit: mm



Ordering Information

Part No.	Description
UTC-216FP-AT00E	15.6" P T/S, Core i5 6300U, 4GB RAM, Open-frame
UTC-216GP-AT00E	15.6" P T/S, Pentium N4200, 4GB RAM, Open-frame