

UTC-307

7" Ubiquitous Touch Computer UTC-307J with Celeron® J6412



Features

- Low power and fanless system design
- Built-in Celeron® J6412 (UTC-307J)
- 7" monitor with 16:9 widescreen display
- IP65-rated front panel for water and dust resistance
- Supports both landscape and portrait screen orientations
- VESA 75 mm standard mounting holes for varied mounting demands
- Detachable plastic frame design for panel mount applications
- Support TPM 2.0



Introduction

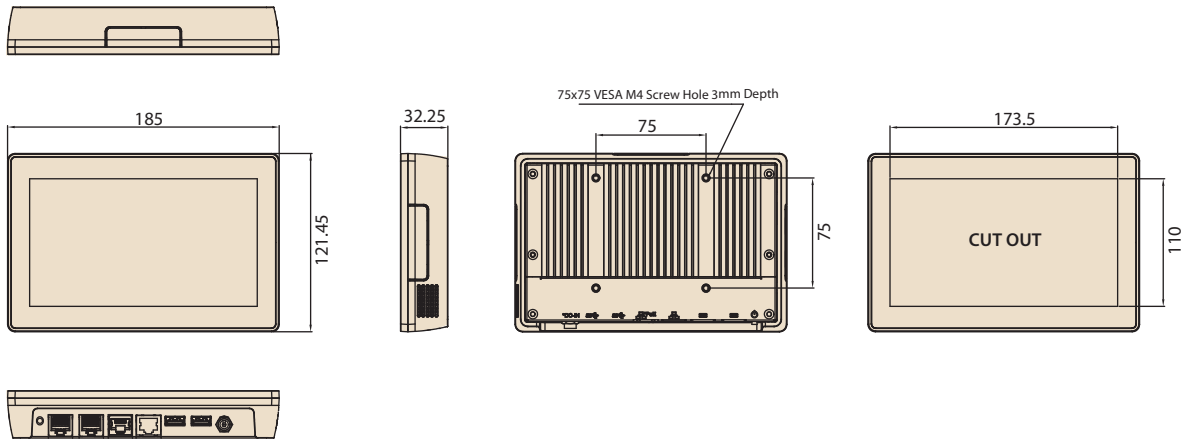
UTC-307 features an all-in-one computing system equipped with wide format, touch based LCD panel. It is easy to integrate key peripherals and display systems for diversified self-service and interactive signage deploy in different application areas. The systems deliver updated information with well-designed interactive interfaces, fully ensure relevant content and targeted promotions are delivered. UTC series touch panel computers are the best investments to enhance user satisfaction, further brand equity, and maximize business profits.

Specifications

| | | |
|------------------------------|---------------------------------|---|
| Processor System | CPU | Intel® Celeron® J6412 (UTC-307J) |
| | Base Frequency | 2.0 GHz (Quad-Core) |
| | Cache | L2 Cache 1.5MB |
| | Memory | DDR4-3200 up to 32GB |
| | Storage | 1 x M.2 2242 SSD |
| | Network (LAN) | 2 x Gigabit Ethernet ports (Supports Wake on LAN) |
| | I/O ports | 2 x RS-232 COM (COM2 RS-232/422/485) |
| | | 2 x USB3.0 2 x Gigabit Ethernet ports |
| | Stereo Speaker | 1 x 2W |
| | Bus expansion | 1 x M.2 key2230, 1 x M.2 key2242 |
| | Mounting | VESA 75 x 75 mm (Screw Size, M4, 4mm) |
| | Dimensions (W x H x D) | 185 x 121 x 32 mm |
| Weight | 0.95kg (2.09lbs) | |
| Security | Support TPM2.0 | |
| OS Support | | Win 10 IoT Enterprise 64bit |
| | | Android12 |
| | | Linux |
| Environmental Specifications | Operating Temperature | 0 ~ 40 °C (32 ~ 104 °F)* |
| | Relative Humidity | 10 ~ 95% @ 40 °C non-condensing |
| | Vibration | 0.5G |
| | Shock | 10G peak acceleration (11 msec. duration) |
| | Certification | CE, FCC, CB, UL, CCC, BSMI |
| | Front Panel Protection | IP 65 Compliant |
| Power Supply | DC Input Rating | 12 V/3 A ~ 24 V/1.5 A, 36W ITE Adapter |
| | Power consumption | Typical 21.5W Max 28W |
| LCD Display | Size/Type | 7" TFT LCD with LED backlight |
| | Max.Resolution | 800 x 480 |
| | Max. Color | 262K |
| | Pixel Pitch (um) | 192.6 x 179 |
| | Brightness (cd/m ²) | 450 |
| View Angle | 140°/ 160° | |
| Touch Screen Option (PE/GE) | Type | Projected Capacitive. Glass panel (by required) |
| | Light Transmission | 80% ± 5% / 90% |
| | Controller | USB Interface |

Dimensions

Unit: mm



Ordering Information

| Part No. | Description |
|-----------------|---|
| UTC-307JP-ATB1E | 7" Pcap, J6412, 8G RAM, Black |
| UTC-307JP-ATW1E | 7" Pcap, J6412, 8G RAM, White |
| 1700001524 | Power Cord 3P UL 10A 125V 180cm |
| 170203180A | Power Cord 3P UK 2.5A/3A 250V 1.83M |
| 170203183C | Power Cord 3P Europe (WS-010+WS-083)183cm |
| 1700019146 | Power Cord CCC 3P 2.5A 250V 183cm |
| 1700025928-02 | COM Port Converter cable RJ48-10P10C to D-SUB 9P 35cm |

* UTC-307 PN (UTC-307JP-ATXXX) include the system and the 36W power adapter (96PSA-A36W12W7-5)

Peripherals for UTC-307 series

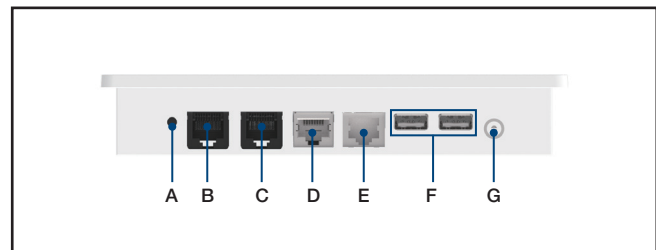
| Tentative Part No. | Description |
|--------------------|--|
| UTC-300P-C70E | 5M Camera Module, White, for UTC-307/UTC-310 series |
| UTC-300P-C71E | 5M Camera Module, Black, for UTC-307/UTC-310 series |
| UTC-300P-M70E | Magnet Strip Reader, White, for UTC-307/UTC-310 series |
| UTC-300P-M71E | Magnet Strip Reader, Black, for UTC-307/UTC-310 series |
| UTC-300P-R70E | RFID Reader, White, for UTC-307/UTC-310 series |
| UTC-300P-R71E | RFID Reader, Black, for UTC-307/UTC-310 series |
| UTC-300P-B70E | 2D Barcode Reader, White, for UTC-307 |
| UTC-300P-B71E | 2D Barcode Reader, Black, for UTC-307 |
| UTC-300P-L70E | LED Light Bar, for UTC-307/UTC-310 series |
| UTC-300P-W70E | M.2 wifi, 802.11 a/b/g/n/ac, 2T2R, BT4.2, A-E key, for UTC-307 |
| UTC-300P-W70U | M.2 wifi, 802.11 a/b/g/n/ac, 2T2R, BT4.2, A-E key, for UTC-307 (US Only P/N) |

* All peripherals must be ordered together with UTC-307, and assembled by Advantech only

Installation Accessory

| Part No. | Description |
|-------------------|-------------------------------------|
| UTC-WALL-MOUNT5E | UTC VESA mount (75x75) |
| UTC-PANEL-MOUNT2E | PANEL Mount Kit (UTC-307) |
| UTC-TABLE-STAND0E | Table Stand, White, For UTC-307/310 |
| UTC-TABLE-STAND1E | Table Stand, Black, For UTC-307/310 |

Fully- Integrated I/O



- A. POWER BUTTON
- B. COM W/RS-232
- C. COM W/RS-232/422/485
- D. LAN Port
- E. LAN
- F. USB 3.0 x 2
- G. DC Power Jack