

UTC-320SL

21.5" Ubiquitous Touch Computer
 UTC-320SL with Active Fan Solution (Fan SKU)
 UTC-320SL with Passive Fan Solution (Fanless SKU)



DeviceOn/iService

Features

- Fan SKU and Fanless SKU system design
- Socket Type CPU with Intel® Core™ 12th/13th/14th Gen processor
- Multiple power input options (Power Din 4 pins/Terminal Block)
- 21.5" monitor with 16:9 widescreen display
- IP65-rated front panel for water and dust resistance
- VESA 100 mm standard mounting holes for varied mounting demands
- Detachable frame design for panel mount applications
- Support DeviceOn/iService software for remote device management
- Support TPM 2.0



Introduction

UTC-320SL series all-in-one computer features a signature black plastic exterior and a compact system design, including socket type CPUs, multiple cooling solutions (Fan SKU & Fanless SKU), and power connector options. Powered by an Intel® Core™ 12th/13th/14th Gen processor that supports Windows, and Linux OS. With the removable frame, the system also could fulfill industries or control system applications with panel mounting design. UTC series touch panel computers are the best investments to enhance user satisfaction, further brand equity, and maximize business profits.

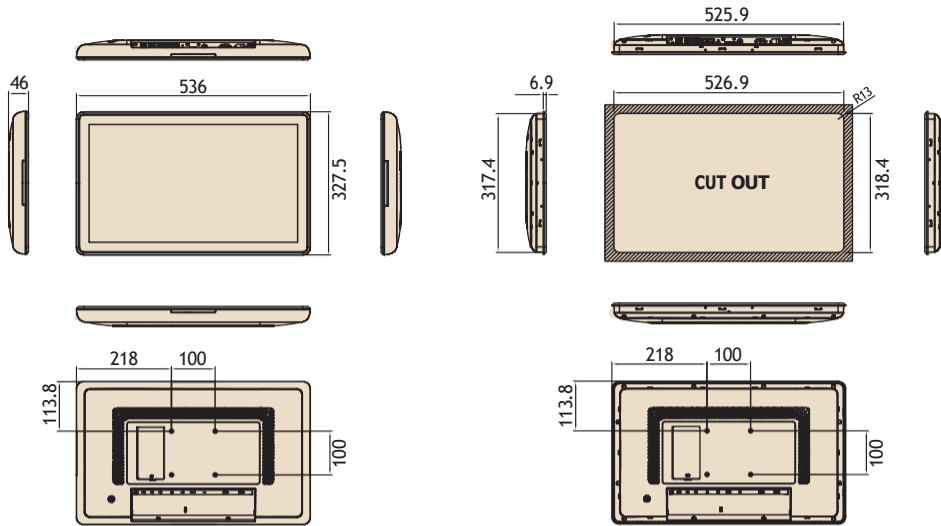
Specifications

Model	UTC-320SL					
Enclosure Color	Black					
Processor System	CPU	i3-14100T	i5-14400T	i5-14500T	i7-14700T	i9-14900T
	Basic Frequency	2.7 GHz+0 GHz (4P+0E Cores)	1.5 GHz+1.1 GHz (6P+4E Cores)	1.7 GHz+1.2 GHz (6P+8E Cores)	1.3 GHz+900 MHz (8P+12E Cores)	1.1 GHz+800 MHz (8P+16E Cores)
	L2 Cache	5MB	9.5MB	11.5MB	28MB	32MB
	TDP	35W (65W CPU is optional)				
	Memory	1 x DDR5 262PIN 4800Mhz SO DIMM up to 32GB				
	Network	2 x Gigabit Ethernet ports (RJ-45) 2 x COM (RS-232 / 422 / 485)				
	I/O ports	3 x USB 2.0 / 3 x USB 3.2				
		2 x Gigabit Ethernet (RJ- 45)				
		1 x HDMI				
		1 x Audio Jack 1 x 2pin header (for external power) 1 x Power Din 4 pin; 1 x Terminal Block 2 pin (optional)				
	Stereo Speaker	2W x 2				
	BUS expansion	1 x M.2 2280(SATA or NVMe) M Key for SSD Storage 1 x M.2 2230 E Key for WiFi/BT module				
	Mounting	VESA 100 x 100; Screw Size: M4, 10mm				
	Dimension (W x H x D)	536 x 327.5 x 46 mm (Fan SKU) / 536 x 327.5 x 61 mm (Fanless SKU)				
Weight	5.8 kg (Fan SKU) / 6.8 kg (Fanless SKU)					
Security	TPM 2.0	Support				
OS support	Win 10 IoT Enterprise 64bit / Win 11 IoT Enterprise 64bit / Linux					
Environmental Specifications	Operating Temperature	0 - 40 °C (32 - 104°F) for Fan SKU 0 - 40 °C (32 - 104° F) with 0.7 m/s airflow for Fanless SKU				
	Relative Humidity	10 - 95% @ 40° C non-condensing				
	Vibration	0.5G				
	Shock	10 G peak acceleration (11 msec. duration)				
	EMC/ Safety	UL, FCC, CE(REDC Compliance), BSMI, CCC, CB				
	Front Panel Protection	IP65				
Power Supply	Input Voltage	12-24 V _{DC}				
	Power Consumption	Typical 80W, Max 150W				
	Adapter	24V=7.5A, 180W Adaptor only available for Power Din 4pin I/O port				
LCD Display	Size	21.5" TFT LCD				
	Max Resolution	1920 x 1080				
	Max Color	16.7M				
	Pixel Pitch (um)	247.95 (H) x 247.95 (V)				
	Brightness (cd/m2)	250 (Typical)				
Touch Screen	View Angle	178°/178°				
	Type	Projected Capacitive Touch Panel (Pcap. Flat Glass)				
Touch Screen	Light Transmission	≥86%				
	Controller	USB interface				

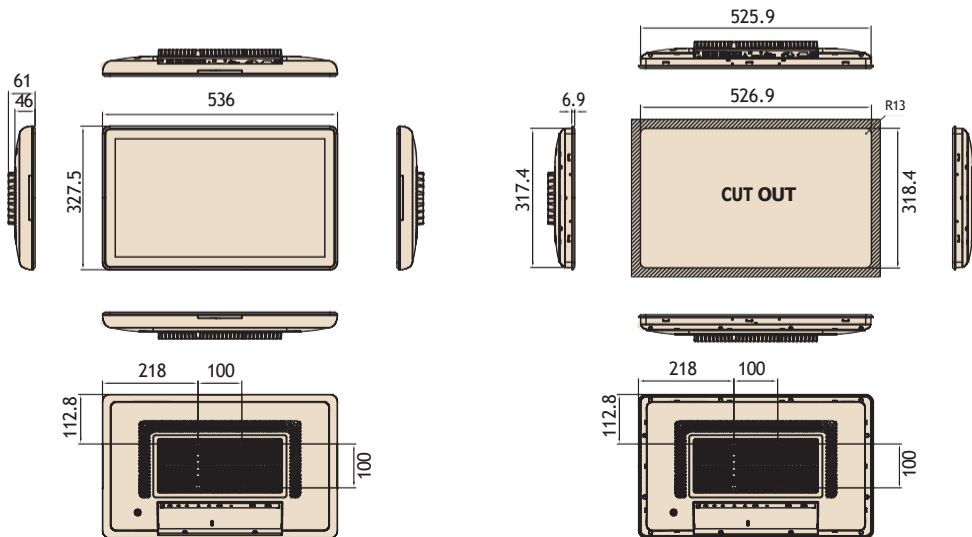
Dimensions

Unit: mm [inch]

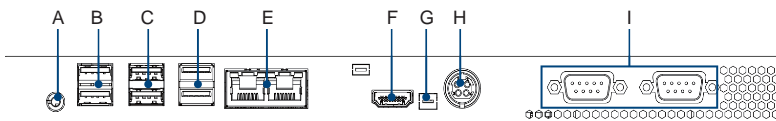
FAN SKU



FANLESS SKU



Fully- Integrated I/O



- A. Universal Audio Jack x 1
- B. USB 2.0 x 2
- C. USB 3.2 x 1 + USB 2.0 x 1
- D. USB 3.2 x 2
- E. LAN ports x 2
- F. HDMI x 1
- G. 2 Pin Header x 1 (for external power button)
- H. DC Input x1
- I. COM x 2

Ordering Information

Part No.	Thermal Type	CPU	RAM	Storage	OS	Enclosure Color	WiFi/BT	Adaptor	COO
UTC-320SLP-ATB0E	Fan SKU	i5-14400T	By Request	By Request	By Request	Black	By Request	XUSC365-ADP180WBB	China
UTC-320SLP-PTB0E	Fanless SKU	i5-14400T	By Request	By Request	By Request	Black	By Request	XUSC365-ADP180WBB	China

Packing List

UTC System Unit
180W ITE Power Adaptor
Thermal pad (1pcs for M.2 SSD + 1pcs for Memory)
Screw (1pc for Wifi module, 1pcs for M.2 SSD)

WiFi Ordering Information

Part No.	Description
UTC-300PS-W10E	WiFi Kit (internal ANT) for UTC-300S
UTC-300PS-W20E	WiFi Kit (external ANT) for UTC-300S

Installation Accessory

Part No.	Description
UTC-PANEL-MOUNT7E	Panel mount kit (UTC-300S series)
ARES-12240-AR01100	Wall Mount, support 2~10kg,75/100mm
ARES-12250-L101000	WallMount,max.support 25kg,75/100mm

Peripherals for UTC-300S Series

Part No.	Description
UTC-300PS-S10E	Smart Card Reader, Black, for UTC-300S series
UTC-300PS-C10E	5M Camera Module, Black, for UTC-300S series
UTC-300PS-B10E	2D Barcode Reader, Black, for UTC-300S series
UTC-300PS-R10E	RFID Reader, Black, for UTC-300S series
UTC-300PS-M10E	Magnet Strip Reader, Black, for UTC-300S series

Power Cord for UTC-300S Series

Part No.	Description
96CB-POWER-B-1.8MB	Power cable 3P, CCC, 10A, 250V, 180 cm (China)
1700001524	Power cable 3P, UL, 10A, 125V, 180 cm (US, TW)
170203183C	Power cable 3P, 10A, 250V, 183 cm (EU)
1700018553	Power cable 3P, SAA, 2.5A, 250V, 183 cm (Australia)
1700018409	Power cable, KCC, 2P, 2.5A, 250V, 183 cm (Korea,Russia)
170203180A-01	Power cable, BSI, 3P, 2.5A, 250V, 183 cm (UK)
1700008921	Power cable, PSE, 3P, 7A, 125V, 180 cm (Japan)
1700025113-11	Power cable, ISI, 3P, 2.5A, 250V, 180 cm (India)

Operating System

Operating System	Part Number
Windows 10 LTSC 2021	20708WX1ES0053 (Celeron)
	20708WX1VS0050 (i3/i5)
	20708WX1HS0032 (i7/i9)
Windows 11 LTSC 2024	20708WLE1S0020 (Celeron)
	20708WLW1S0026 (i3/i5)
	20708WLH1S0016 (i7/i9)

DeviceOn



Introduction

Advantech DeviceOn is a remote management platform optimized for large-scale device deployment, monitoring, and maintenance. It centralizes control to reduce on-site workload and includes tools like remote desktop, log access, event tracking, and alerts to minimize downtime. OS updates can be performed remotely to keep devices secure. Developed in-house and tightly integrated with Advantech hardware, DeviceOn offers high reliability and compatibility.

Service & Specifications

Function List

	Windows	Android	Linux(Ubuntu)	Builder	Manager
	10, 11	8+	20.04+	Only available on SaaS	
Profile – OS Settings (KIOSK Mode, others are OS dependent)	✓	✓		✓	✓
Profile – Alarm Rules, Software & Peripheral Monitoring, Task Schedule	✓	✓	✓	✓	✓
Profile – Device Security (Auto Lock, Application install policy)		✓		✓	✓
OTA – Update Operating System		✓		✓	✓
OTA – Manage Installation Packs, Remote App Installation, Script Deployment & Execution	✓	✓	✓	✓	✓
OTA – Synchronized File Transfer to Multiple Endpoints	✓		✓	✓	✓
OTA – Remotely Download 3rd-party Application Logs	✓	✓	✓		✓
Monitoring – Hardware Status (CPU/RAM/Storage/Battery)	✓	✓	✓		✓
Monitoring – Software Status (Running Status/CPU & Memory Usage)	✓	✓	✓		✓
Monitoring – Advanced Battery Management [Specific Battery Models]	✓				✓
Monitoring – Peripherals & Display (Connection Status) [USB Only]	✓	✓	✓		✓
Control – Adjust Volume & Backlight, Screenshot, Reboot & Shutdown	✓	✓	✓		✓
Control – Download System Log and Network Information		✓			✓
Control – Remote Desktop	✓	✓	✓		✓
Control – Remote Secure Shell (SSH)			✓		✓
User Management – Manage User-accessible Feature Permissions	✓	✓	✓	✓	✓
User Management – Manage User Device Management Permissions	✓	✓	✓	✓	✓

Ordering Information

Ordering P/N	Product	Cloud(Server) Type	Description
36CSDOISSASP01	Device Subscription	SaaS Cloud	Annual Cloud Service for 1 device (365 days)
36CSDOISSASP03	Data Traffic	SaaS Cloud	Recharge with around 240GB more data traffic
36CSDOISPSRP01	Device License	On-Premise Server	Perpetual License for 1 device
36CSDOISPSRP02	Server License	On-Premise Server	Server Activation License (valid for 1 server installation - including 2-year software warranty)
36CSDOISPSRP03	Extended Warranty	On-Premise Server	Annual Maintenance & Upgrade Fee (beyond the standard 2-year warranty)