

# UTC-720

## 21.5/31.5" Interactive Self-Service Kiosk UTC-720F with Intel® Core™ i5-6300U UTC-720G with Intel® Pentium® N4200

**NEW**



### Features

- Low power consumption and fanless design
- Built-in 21.5/31.5" open-frame panel PC
- Built-in Intel® Core™ i5-6300U processor (UTC-720F)
- Built-in Intel® Pentium® N4200 processor (UTC-720G)
- 16:9 widescreen display with 1920 x 1080 resolution
- Side-open design and recessed cable routing for easy management
- VESA 200mm standard mounting holes for varied mounting demands
- Support pole, ceiling, and wall mounting
- Support Windows, Android, and Linux operating systems
- Integrated components, including a thermal printer, a barcode scanner, a NFC/RFID reader, a smart card reader, and a MSR

CE FCC

### Introduction

Advantech UTC-720 is a multipurpose interactive kiosk system that features a beautiful 21.5/31.5" panel PC integrated into a slim steel chassis. Powered by a sixth-generation Intel® processor and equipped with up to 16GB of memory, the UTC-720 series deliver excellent performance to support various self-service applications. It also supports multiple OS, rich I/O ports, as well as the ability to integrate diverse optional peripherals, making it ideal for use as interactive self-service kiosk for any public and commercial applications.

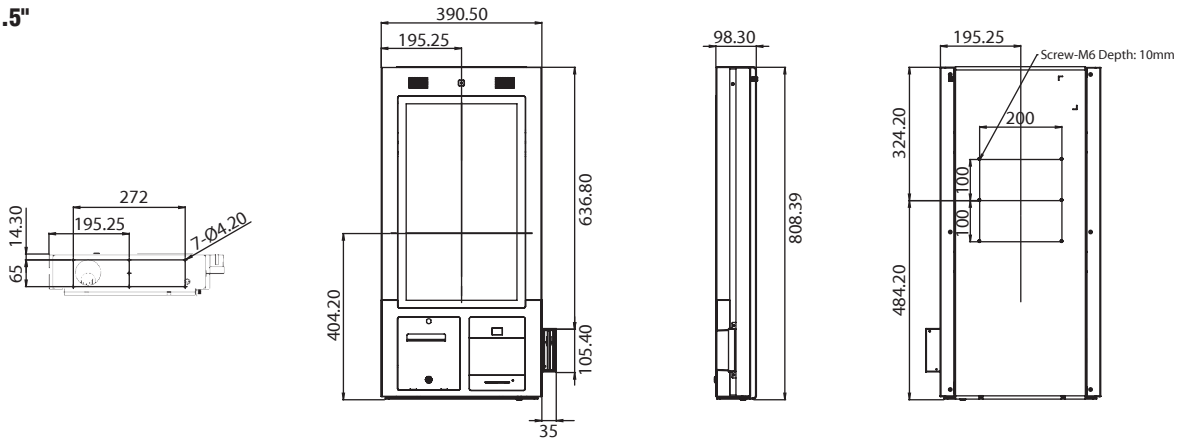
### Specifications

Processor System	CPU	Intel® Core™ i5-6300U (UTC-720F) Intel® Core™ i3-6100U (Available)*	Intel® Pentium® N4200 (UTC-720G) Intel® Atom® E3950 (Available)*
	Base Frequency	2.4GHz (Dual-Core)	1.1 GHz (N4200/Quad-Core) 1.6 GHz (E3950/Quad-Core)
	Cache	L3 Cache 3MB	L2 Cache 2MB
	Memory	2 x SO DIMM DDR3L 1600MHz up to 16 GB	1 x SO-DIMM DDR3L 1867 MHz
	HDD	1 x 2.5 internal SATA HDD bay	1 x 2.5 internal SATA HDD bay
	Network (LAN)	2 x Gigabit Ethernet ports (Supports Wake on LAN)	
	I/O ports	2 x RS-232 COM (RS-422/485)* 2 x USB 2.0 / 2 x USB 3.0 2 x Gigabit Ethernet (RJ-45) 1 x VGA 1 x HDMI Audio Line-out x 1, Mic-in x 1	2 x RS-232 COM (RS-422/485)* 2 x USB 2.0 / 2 x USB 3.0 2 x Gigabit Ethernet (RJ-45) 1 x VGA 1 x HDMI Audio Line-out x 1, Mic-in x 1
	Stereo Speaker	10W x 2	
	Bus expansion	Full-size MiniPCIe/mSATA	
	Mounting	VESA 200 x 200 mm	
Dimensions (W x H x D)	21.5": 390.5 x 808.39 x 98.3(mm) 31.5": 534.84 x 1054.15 x 98.3(mm)		
Weight	21.5": 16kg 31.5": 38kg		
OS Support	WES 7P 32bit WES 7E 32bit Windows Pro Embedded 7 SP1 64bit WEBS 64bit Windows Embedded 8.1 Industry Pro 64bit Win 10 IoT Enterprise Linux Ubuntu 16.04	Win 10 IoT Enterprise Android 6.0 Linux Ubuntu 17.04	
Environmental Specifications	Operating Temperature	0 - 40° C (32 - 104° F)	
	Relative Humidity	10 - 95% @ 40° C non-condensing	
	Vibration	0.5G	
	Shock	5G peak acceleration (11 msec. duration)	
	EMC/ Safety	CE, FCC	
Front Panel Protection	IP65/ NEMA4 Compliant		
Power Supply	Input Rating	12 V/7A (84W ITE Adapter for system) 24V/3A (72W adapter for printer)	
	Power consumption	Typical 45W Max. 65W	
LCD Display	Size/Type	21.5"/31.5" TFT LCD with LED backlight	
	Max. Resolution	21.5": 1920 x 1080 31.5": 1920 x 1080	
	Max. Color	16.7M	
	Pixel Pitch (um)	21.5": 248.25 x 248.25 31.5": 363.75 x 363.75	
	Brightness (cd/m <sup>2</sup> )	21.5": 250 31.5": 350	
View Angle	178°/178° (21.5/31.5")		
Touch Screen Option (PE/RE/GE)	Type	Projected Capacitive. Analog Resistive 5-wires (21.5" only) / Glass Panel	
	Light Transmission	80% ± 2% / 80% ± 5% / 90%	
	Controller	USB Interface / USB Interface / -	
Peripherals	NFC	RFID/NFC module(Jotek ADT-007A-33)	
	Smart card reader	Smart card reader with USB connection	
	MSR	Magnetic stripe card reader with USB connection	
	Thermal printer	Thermal printer with USB connection	
	Camera*	5M AF Camera Module	
	Barcode scanner	Honeywell 2D barcode scanner	

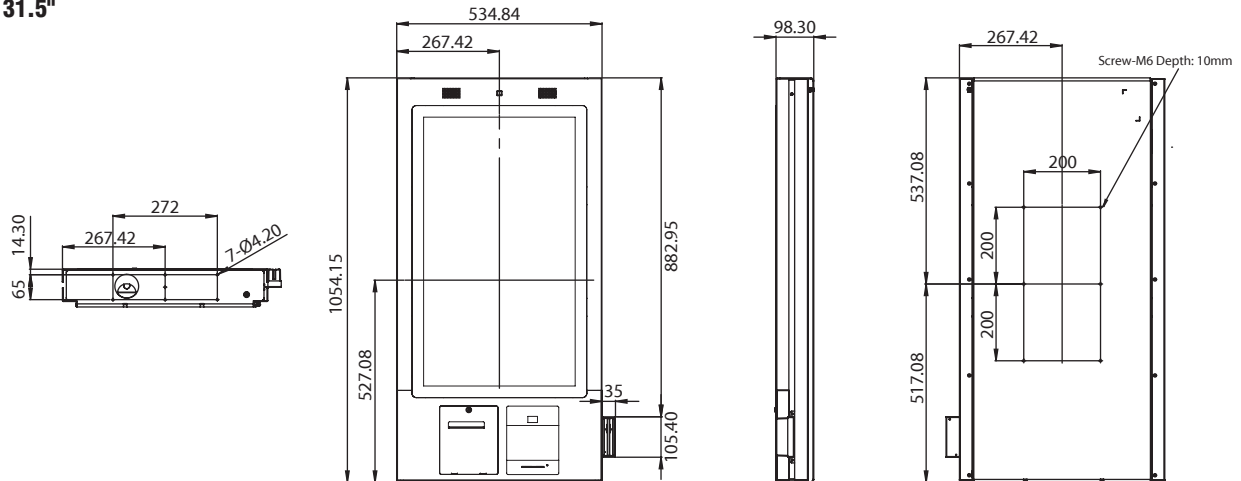
## Dimensions

Unit: mm

### 21.5"



### 31.5"



## Ordering Information

Part No.	Description
UTC-722FP-VFK0E	21.5" P T/S, Core i5 6300U, 4GB RAM, Thermal printer, 2D barcode, NFC, SCR, MSR
UTC-722GP-VFK0E	21.5" P T/S, Pentium N4200, 4GB RAM, Thermal printer, 2D barcode, NFC, SCR, MSR
UTC-723FP-VFK0E	31.5" P T/S, Core i5 6300U, 4GB RAM, Thermal printer, 2D barcode, NFC, SCR, MSR
UTC-723GP-VFK0E	31.5" P T/S, Pentium N4200, 4GB RAM, Thermal printer, 2D barcode, NFC, SCR, MSR