

# UTK-520

## 21.5" Modular Design Self-Service Kiosk UTK-520F with Intel® Core™ i5-6300U UTK-520G with Intel® Pentium® N4200

Preliminary



### Features

- 21.5" LCD 16:9 widescreen display with 1920 x 1080 resolution
- Built-in Intel® Core™ i5-6300U processor (UTK-520F)
- Built-in Intel® Pentium® N4200 processor (UTK-520G)
- Low power consumption and fanless design
- Aluminum frame with side groove design for flexible peripheral installation
- Support both landscape and portrait screen orientation
- Standard VESA mounting holes for varied mounting demands
- Support Windows, Android, and Linux operating systems
- Modular peripheral device including a thermal printer, a barcode scanner, a NFC/RFID reader, a smart card reader, and a MSR

CE FCC

### Introduction

UTK-520 features as modular design computing system equipped with wide format, touch based LCD panel. It is easy to integrate key peripherals as KIOSK systems for diversified self-service and interactive signage deploy in different application areas. The systems deliver updated information with well-designed interactive interfaces, fully ensure relevant content and targeted promotions are delivered. UTK-500 series touch panel computers are the best investments to enhance user satisfaction, further brand equity, and maximize business profits.

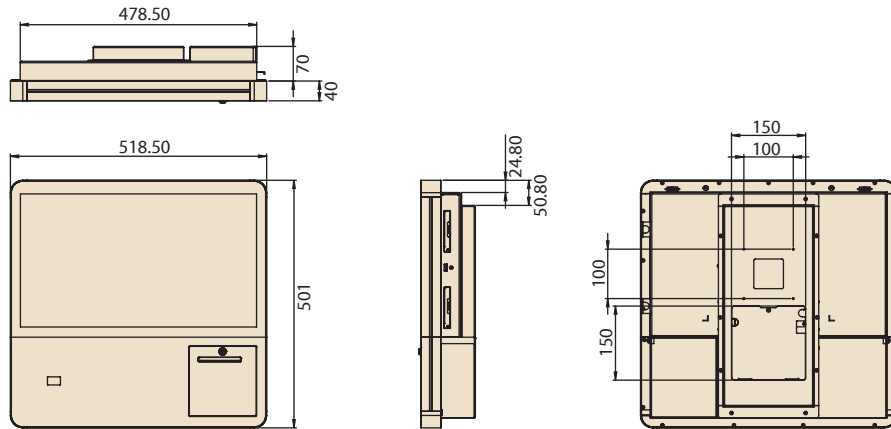
### Specifications

|                                |                        |  |   |  |
|--------------------------------|------------------------|--|---|--|
| Processor System               | CPU                    | Intel® Core™ i5-6300U (UTK-520F)<br>Intel® Core™ i3-6100U (Available)*   | Intel® Pentium® N4200 (UTK-520G)<br>Intel® Atom® E3950 (Available)*   |  |
|                                | Base Frequency         | 2.4GHz (Dual-Core)   | 1.1 GHz (N4200/Quad-Core)<br>1.6 GHz (E3950/Quad-Core)  |  |
|                                | Cache                  | L3 Cache 3MB   | L2 Cache 2MB  |  |
|                                | Memory                 | 2 x SO DIMM DDR3L 1600MHz up to 16 GB  | 1 x SO-DIMM DDR3L 1867 MHz  |  |
|                                | HDD                    | 1 x 2.5 internal SATA HDD bay  | 1 x 2.5 internal SATA HDD bay   |  |
|                                | Network (LAN)          | 2 x Gigabit Ethernet ports (Supports Wake on LAN)  |   |  |
|                                | I/O ports              |  | 1 x RS232 COM port (Optional)*<br>2 x USB 3.0 (1 x be occupied by thermal printer)<br>3 x USB 2.0 (2 x be occupied by NFC and barcode scanner)<br>1 x HDMI, 1 x VGA<br>1 x Audio Line-out, 1 x Mic-in<br>1 x AC inlet |  |
|                                |                        | Stereo Speaker   | Rear 3W x 2 (*Optional 10W x 1 at front)  |  |
|                                |                        | Bus expansion  | Full-size MiniPCIe/mSATA  |  |
|                                |                        | Mounting   | VESA 100 x 100 mm   |  |
| Dimensions (W x H x D)         |                        | 518.5 x 110.1 x 501 mm   |   |  |
| Outlook                        | Weight                 | 14.5kg   |   |  |
| OS Support                     |                        | WES 7P 32bit<br>WES 7E 32bit<br>Windows Pro Embedded 7 SP1 64bit<br>WESB 64bit<br>Windows Embedded 8.1 Industry Pro 64bit<br>Win 10 IoT Enterprise<br>Linux Ubuntu 16.04 | Win 10 IoT Enterprise<br>Android 6.0<br>Linux Ubuntu 17.04  |  |
|                                |                        |  |   |  |
| Environmental Specifications   | Operating Temperature  | 0 ~ 40° C (32 ~ 104° F)  |   |  |
|                                | Relative Humidity      | 10 ~ 95% @ 40° C non-condensing  |   |  |
|                                | Vibration              | 0.5G   |   |  |
|                                | Shock                  | 5G peak acceleration (11 msec. duration)   |   |  |
|                                | EMC/ Safety            | CE, FCC  |   |  |
| Power Supply                   | Front Panel Protection | IP65/ NEMA4 Compliant  |   |  |
|                                | Input Rating           | System: 12V/7A (84W ITE Adapter)<br>Thermal Printer: 24V/2.5A  |   |  |
| LCD Display                    | Power consumption      | Typical 45W<br>Max. 65W  |   |  |
|                                | Size/Type              | 21.5" TFT LCD with LED backlight   |   |  |
| Touch Screen Option (PE/RE/GE) | Max.Resolution         | 1920 x 1080  |   |  |
|                                | Max. Color             | 16.7M  |   |  |
|                                | Pixel Pitch (um)       | 248.25 x 363.75  |   |  |
|                                | Brightness (cd/m²)     | 250 (Optional 400)   |   |  |
|                                | View Angle             | 178°/178°  |   |  |
| Peripherals                    | Type                   | Projected Capacitive   |   |  |
|                                | Light Transmission     | 90% ± 2%   |   |  |
|                                | Controller             | USB Interface  |   |  |
| Peripherals                    | NFC                    | RFID/NFC module(Jotek ADT-007A-33)   |   |  |
|                                | Thermal printer        | Thermal printer with USB connection  |   |  |
| Peripherals                    | Barcode scanner        | 2D barcode scanner   |   |  |

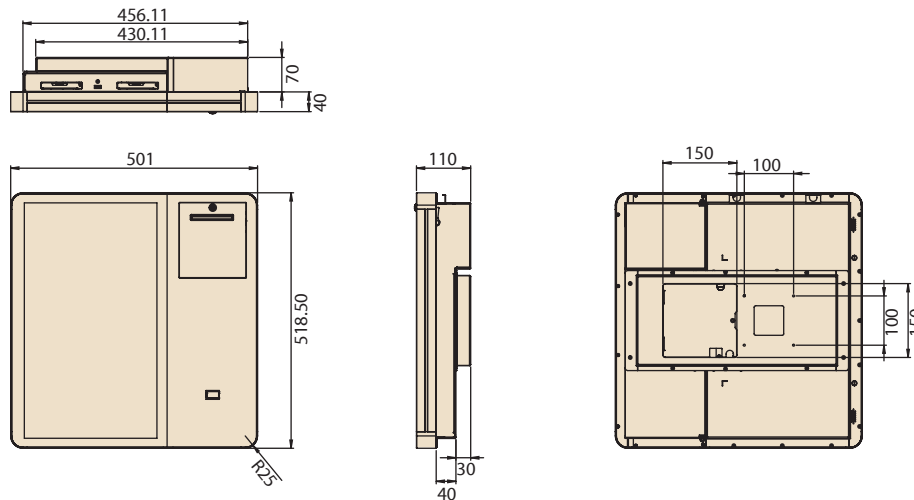
## Dimensions

Unit: mm

### landscape



### Portrait



## Ordering Information

| Part Number      | Description  |
|------------------|--|
| UTK-520FP-APP10E | 21.5", P-CAP T/S, Core i5-6300U, 4GB RAM, Thermal Printer, 2D Barcode Reader, NFC, Portrait  |
| UTK-520FP-ALP10E | 21.5", P-CAP T/S, Core i5-6300U, 4GB RAM, Thermal Printer, 2D Barcode Reader, NFC, Landscape |
| UTK-520GP-APP10E | 21.5", P-CAP T/S, Pentium N4200, 4GB RAM, Thermal Printer, 2D Barcode Reader, NFC, Portrait  |
| UTK-520GP-ALP10E | 21.5", P-CAP T/S, Pentium N4200, 4GB RAM, Thermal Printer, 2D Barcode Reader, NFC, Landscape |