

UTK-520

21.5" Modular Design Self-Service Kiosk UTK-520F with Intel® Core™ i5-6300U UTK-520G with Intel® Pentium® N4200

Preliminary



Features

- 21.5" LCD 16:9 widescreen display with 1920 x 1080 resolution
- Built-in Intel® Core™ i5-6300U processor (UTK-520F)
- Built-in Intel® Pentium® N4200 processor (UTK-520G)
- Low power consumption and fanless design
- Aluminum frame with side groove design for flexible peripheral installation
- Support both landscape and portrait screen orientation
- Standard VESA 200mm mounting holes for varied mounting demands
- Support Windows, Android, and Linux operating systems
- Modular peripheral device including a thermal printer, a barcode scanner, a NFC/RFID reader, a smart card reader, and a MSR

CE FCC

Introduction

UTK-520 features as modular design computing system equipped with wide format, touch based LCD panel. It is easy to integrate key peripherals as KIOSK systems for diversified self-service and interactive signage deploy in different application areas. The systems deliver updated information with well-designed interactive interfaces, fully ensure relevant content and targeted promotions are delivered. UTK-500 series touch panel computers are the best investments to enhance user satisfaction, further brand equity, and maximize business profits.

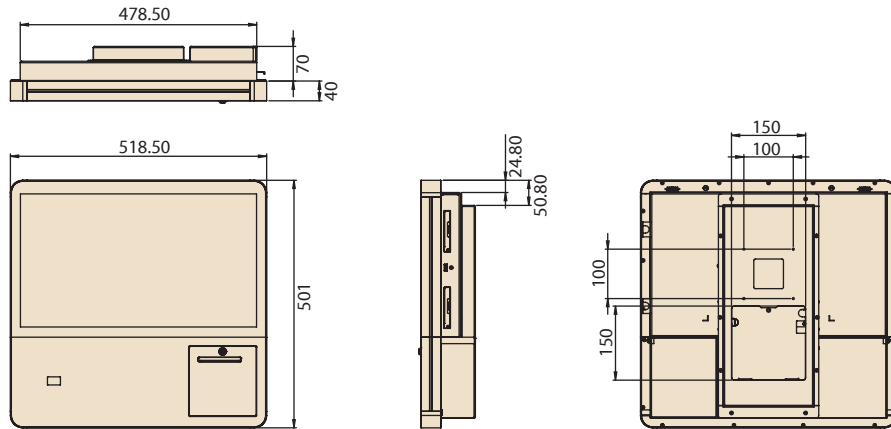
Specifications

Processor System	CPU	Intel® Core™ i5-6300U (UTK-520F) Intel® Core™ i3-6100U (Available)*	Intel® Pentium® N4200 (UTK-520G) Intel® Atom® E3950 (Available)*	
	Base Frequency	2.4GHz (Dual-Core)	1.1 GHz (N4200/Quad-Core) 1.6 GHz (E3950/Quad-Core)	
	Cache	L3 Cache 3MB	L2 Cache 2MB	
	Memory	2 x SO DIMM DDR3L 1600MHz up to 16 GB	1 x SO-DIMM DDR3L 1867 MHz	
	HDD	1 x 2.5 internal SATA HDD bay	1 x 2.5 internal SATA HDD bay	
	Network (LAN)	2 x Gigabit Ethernet ports (Supports Wake on LAN)		
	I/O ports	1 x RS232 COM port (Optional)*		
		2 x USB 3.0 (1 x be occupied by thermal printer)		
		3 x USB 2.0 (2 x be occupied by NFC and barcode scanner)		
		1 x HDMI, 1 x VGA 1 x Audio Line-out, 1 x Mic-in 1 x AC inlet		
Stereo Speaker	Rear 3W x 2 (*Optional 10W x 1 at front)			
Bus expansion	Full-size MiniPCIe/mSATA			
Mounting	VESA 200 x 200 mm			
Outlook	Dimensions (W x H x D)	518.5 x 110.1 x 501 mm		
	Weight	18kg		
OS Support		WES 7P 32bit WES 7E 32bit Windows Pro Embedded 7 SP1 64bit WESB 64bit Windows Embedded 8.1 Industry Pro 64bit Win 10 IoT Enterprise Linux Ubuntu 16.04	Win 10 IoT Enterprise Android 6.0 Linux Ubuntu 17.04	
Environmental Specifications	Operating Temperature	0 ~ 40° C (32 ~ 104° F)		
	Relative Humidity	10 ~ 95% @ 40° C non-condensing		
	Vibration	0.5G		
	Shock	5G peak acceleration (11 msec. duration)		
	EMC/ Safety	CE, FCC		
Front Panel Protection	IP65/ NEMA4 Compliant			
Power Supply	Input Rating	System: 12V/7A (84W ITE Adapter) Thermal Printer: 24V/2.5A		
	Power consumption	Typical 45W Max. 65W		
LCD Display	Size/Type	21.5" TFT LCD with LED backlight		
	Max. Resolution	1920 x 1080		
	Max. Color	16.7M		
	Pixel Pitch (um)	248.25 x 363.75		
	Brightness (cd/m ²)	250 (Optional 400)		
View Angle	178°/178°			
Touch Screen Option (PE/RE/GE)	Type	Projected Capacitive		
	Light Transmission	90% ± 2%		
	Controller	USB Interface		
Peripherals	NFC	RFID/NFC module(Jotek ADT-007A-33)		
	Thermal printer	Thermal printer with USB connection		
	Barcode scanner	2D barcode scanner		

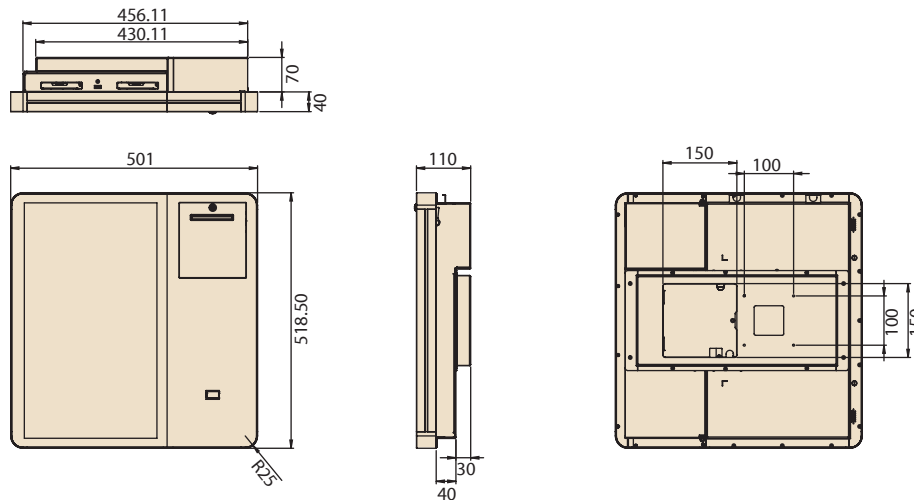
Dimensions

Unit: mm

landscape



Portrait



Ordering Information

Part Number	Description
UTK-520FP-APP10E	21.5", P-CAP T/S, Core i5-6300U, 4GB RAM, Thermal Printer, 2D Barcode Reader, NFC, Portrait
UTK-520FP-ALP10E	21.5", P-CAP T/S, Core i5-6300U, 4GB RAM, Thermal Printer, 2D Barcode Reader, NFC, Landscape
UTK-520GP-APP10E	21.5", P-CAP T/S, Pentium N4200, 4GB RAM, Thermal Printer, 2D Barcode Reader, NFC, Portrait
UTK-520GP-ALP10E	21.5", P-CAP T/S, Pentium N4200, 4GB RAM, Thermal Printer, 2D Barcode Reader, NFC, Landscape