

UTK-532

31.5" Modular Design Self-Service Kiosk UTK-532F with Intel® Core™ i5-6300U UTK-532G with Intel® Pentium® N4200

Preliminary



Features

- 31.5" LCD 16:9 widescreen display with 1920 x 1080 resolution
- Built-in Intel® Core™ i5-6300U processor (UTK-532F)
- Built-in Intel® Pentium® N4200 processor (UTK-532G)
- Low power consumption and fanless design
- Aluminum frame with side groove design for flexible peripheral installation
- Support both landscape and portrait screen orientation
- Standard VESA mounting holes for varied mounting demands
- Support Windows, Android, and Linux operating systems
- Modular peripheral device including a thermal printer, a barcode scanner, a NFC/RFID reader

CE FCC

Introduction

UTK-532 features as modular design computing system equipped with wide format, touch based LCD panel. It is easy to integrate key peripherals as KIOSK systems for diversified self-service and interactive signage deploy in different application areas. The systems deliver updated information with well-designed interactive interfaces, fully ensure relevant content and targeted promotions are delivered. UTK-500 series touch panel computers are the best investments to enhance user satisfaction, further brand equity, and maximize business profits.

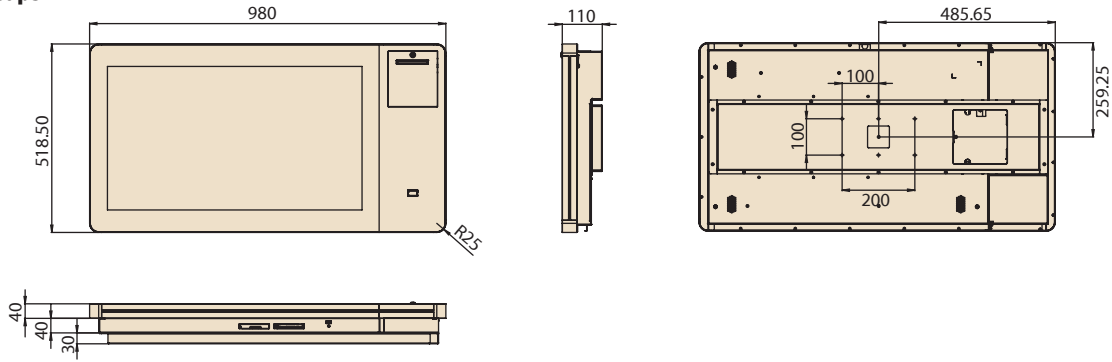
Specifications

| | | | |
|--------------------------------|--|--|---|
| Processor System | CPU | Intel® Core™ i5-6300U (UTK-532F) Intel® Core™ i3-6100U (Available)* | Intel® Pentium® N4200 (UTK-532G) Intel® Atom® E3950 (Available)* |
| | Base Frequency | 2.4GHz (Dual-Core) | 1.1 GHz (N4200/Quad-Core) 1.6 GHz (E3950/Quad-Core) |
| | Cache | L3 Cache 3MB | L2 Cache 2MB |
| | Memory | 2 x SO DIMM DDR3L 1600MHz up to 16 GB | 1 x SO-DIMM DDR3L 1867 MHz |
| | HDD | 1 x 2.5 internal SATA HDD bay | 1 x 2.5 internal SATA HDD bay |
| | Network (LAN) | 2 x Gigabit Ethernet ports (Supports Wake on LAN) | |
| | I/O ports | 1 x RS232 COM port (Optional)* 2 x USB 3.0 (1 x be occupied by thermal printer) 3 x USB 2.0 (2 x be occupied by NFC and barcode scanner) | |
| | | 1 x HDMI, 1 x VGA 1 x Audio Line-out, 1 x Mic-in 1 x AC inlet | |
| | | Stereo Speaker | Rear 3W x 2 (*Optional 10W x 1 at front) |
| | | Bus expansion | Full-size MiniPCIe/mSATA |
| Mounting | VESA 100 x 200 mm | | |
| Outlook | Dimensions (W x H x D) | 518.5 x 110.1 x 979.8 mm | |
| | Weight | 25kg | |
| OS Support | WES 7P 32bit WES 7E 32bit Windows Pro Embedded 7 SP1 64bit WES8 64bit Windows Embedded 8.1 Industry Pro 64bit Win 10 IoT Enterprise Linux Ubuntu 16.04 | | Win 10 IoT Enterprise Android 6.0 Linux Ubuntu 17.04 |
| | | | |
| Environmental Specifications | Operating Temperature | 0 ~ 40° C (32 ~ 104° F) | |
| | Relative Humidity | 10 ~ 95% @ 40° C non-condensing | |
| | Vibration | 0.5G | |
| | Shock | 5G peak acceleration (11 msec. duration) | |
| | EMC/ Safety | CE, FCC | |
| Power Supply | Front Panel Protection | IP65/ NEMA4 Compliant | |
| | AC Input Rating | 100-240V, 50-60Hz, 3.7A | |
| | Power consumption | Typical 125W (include thermal printer) Max: 145W (include thermal printer) | |
| LCD Display | Size/Type | 31.5" TFT LCD with LED backlight | |
| | Max. Resolution | 1920 x 1080 | |
| | Max. Color | 16.7M | |
| | Pixel Pitch (um) | 363.75 x 363.75 | |
| | Brightness (cd/m ²) | 300 | |
| Touch Screen Option (PE/RE/GE) | View Angle | 178°/178° | |
| | Type | Projected Capacitive | |
| Peripherals | Light Transmission | 90% ± 2% | |
| | Controller | USB Interface | |
| | NFC | RFID/NFC module (Jotek ADT-007A-33) | |
| Peripherals | Thermal printer | Thermal printer with USB connection | |
| | Barcode scanner | 2D barcode scanner | |

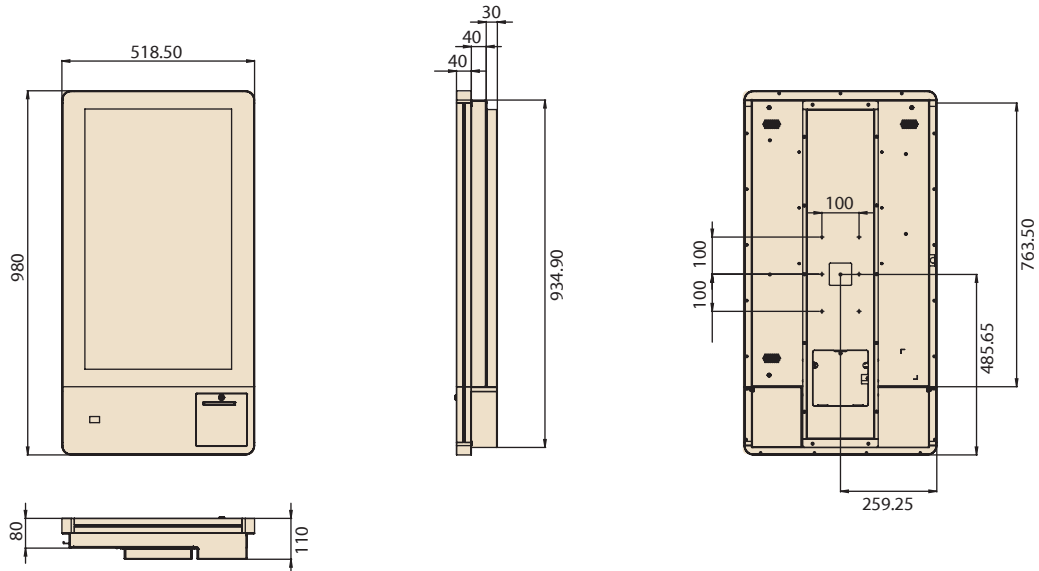
Dimensions

Unit: mm

landscape



Portrait



Ordering Information

| Part Number | Description |
|------------------|--|
| UTK-532FP-APP10E | 31.5", P-CAP T/S, Core i5-6300U, 4GB RAM, Thermal Printer, 2D Barcode Reader, NFC, Portrait |
| UTK-532FP-ALP10E | 31.5", P-CAP T/S, Core i5-6300U, 4GB RAM, Thermal Printer, 2D Barcode Reader, NFC, Landscape |
| UTK-532GP-APP10E | 31.5", P-CAP T/S, Pentium N4200, 4GB RAM, Thermal Printer, 2D Barcode Reader, NFC, Portrait |
| UTK-532GP-ALP10E | 31.5", P-CAP T/S, Pentium N4200, 4GB RAM, Thermal Printer, 2D Barcode Reader, NFC, Landscape |