

UTK-532

31.5" Modular Design Self-Service Kiosk UTK-532F with Intel® Core™ i5-6300U UTK-532G with Intel® Pentium® N4200

Preliminary



Features

- 31.5" LCD 16:9 widescreen display with 1920 x 1080 resolution
- Built-in Intel® Core™ i5-6300U processor (UTK-532F)
- Built-in Intel® Pentium® N4200 processor (UTK-532G)
- Low power consumption and fanless design
- Aluminum frame with side groove design for flexible peripheral installation
- Support both landscape and portrait screen orientation
- Standard VESA 200mm mounting holes for varied mounting demands
- Support Windows, Android, and Linux operating systems
- Modular peripheral device including a thermal printer, a barcode scanner, a NFC/RFID reader

CE FCC

Introduction

UTK-532 features as modular design computing system equipped with wide format, touch based LCD panel. It is easy to integrate key peripherals as KIOSK systems for diversified self-service and interactive signage deploy in different application areas. The systems deliver updated information with well-designed interactive interfaces, fully ensure relevant content and targeted promotions are delivered. UTK-500 series touch panel computers are the best investments to enhance user satisfaction, further brand equity, and maximize business profits.

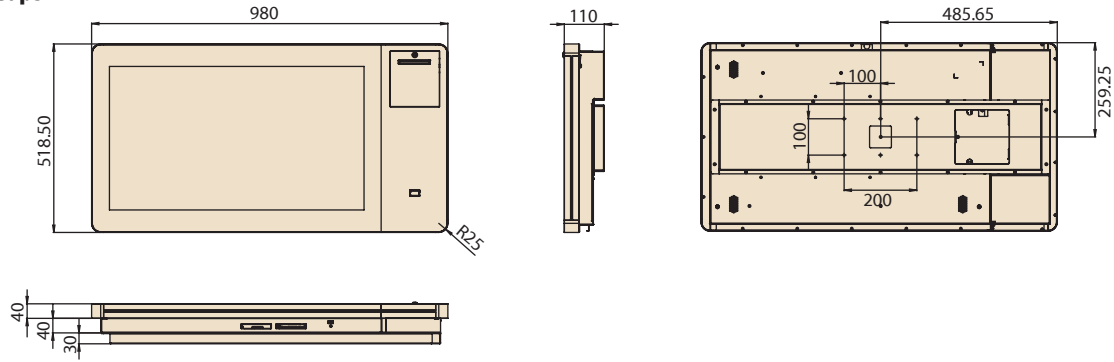
Specifications

Processor System	CPU	Intel® Core™ i5-6300U (UTK-532F) Intel® Core™ i3-6100U (Available)*	Intel® Pentium® N4200 (UTK-532G) Intel® Atom® E3950 (Available)*
	Base Frequency	2.4GHz (Dual-Core)	1.1 GHz (N4200/Quad-Core) 1.6 GHz (E3950/Quad-Core)
	Cache	L3 Cache 3MB	L2 Cache 2MB
	Memory	2 x SO DIMM DDR3L 1600MHz up to 16 GB	1 x SO-DIMM DDR3L 1867 MHz
	HDD	1 x 2.5 internal SATA HDD bay	1 x 2.5 internal SATA HDD bay
	Network (LAN)	2 x Gigabit Ethernet ports (Supports Wake on LAN)	
	I/O ports	1 x RS232 COM port (Optional)* 2 x USB 3.0 (1 x be occupied by thermal printer) 3 x USB 2.0 (2 x be occupied by NFC and barcode scanner)	
		1 x HDMI, 1 x VGA 1 x Audio Line-out, 1 x Mic-in 1 x AC inlet	
		Stereo Speaker	Rear 3W x 2 (*Optional 10W x 1 at front)
		Bus expansion	Full-size MiniPCIe/mSATA
Mounting	VESA 200 x 200 mm		
Outlook	Dimensions (W x H x D)	518.5 x 110.1 x 979.8 mm	
	Weight	50kg	
OS Support	WES 7P 32bit WES 7E 32bit Windows Pro Embedded 7 SP1 64bit WES8 64bit Windows Embedded 8.1 Industry Pro 64bit Win 10 IoT Enterprise Linux Ubuntu 16.04		Win 10 IoT Enterprise Android 6.0 Linux Ubuntu 17.04
Environmental Specifications	Operating Temperature	0 ~ 40° C (32 ~ 104° F)	
	Relative Humidity	10 ~ 95% @ 40° C non-condensing	
	Vibration	0.5G	
	Shock	5G peak acceleration (11 msec. duration)	
	EMC/ Safety	CE, FCC	
Power Supply	Front Panel Protection	IP65/ NEMA4 Compliant	
	AC Input Rating	100-240V, 50-60Hz, 3.7A	
	Power consumption	Typical 125W (include thermal printer) Max: 145W (include thermal printer)	
LCD Display	Size/Type	31.5" TFT LCD with LED backlight	
	Max. Resolution	1920 x 1080	
	Max. Color	16.7M	
	Pixel Pitch (um)	363.75 x 363.75	
	Brightness (cd/m ²)	300	
Touch Screen Option (PE/RE/GE)	View Angle	178°/178°	
	Type	Projected Capacitive	
Peripherals	Light Transmission	90% ± 2%	
	Controller	USB Interface	
	NFC	RFID/NFC module (Jotek ADT-007A-33)	
	Barcode scanner	2D barcode scanner	

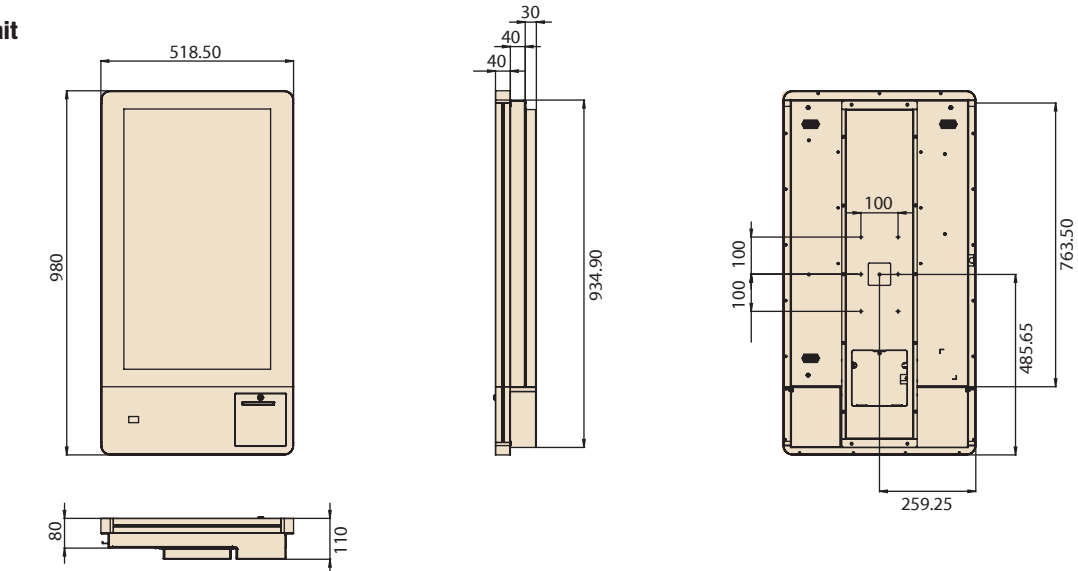
Dimensions

Unit: mm

landscape



Portrait



Ordering Information

Part Number	Description
UTK-532FP-APP10E	31.5", P-CAP T/S, Core i5-6300U, 4GB RAM, Thermal Printer, 2D Barcode Reader, NFC, Portrait
UTK-532FP-ALP10E	31.5", P-CAP T/S, Core i5-6300U, 4GB RAM, Thermal Printer, 2D Barcode Reader, NFC, Landscape
UTK-532GP-APP10E	31.5", P-CAP T/S, Pentium N4200, 4GB RAM, Thermal Printer, 2D Barcode Reader, NFC, Portrait
UTK-532GP-ALP10E	31.5", P-CAP T/S, Pentium N4200, 4GB RAM, Thermal Printer, 2D Barcode Reader, NFC, Landscape