

UTK-615

15.6" Ubiquitous Touch Computer
UTK-615AP with ARM Cortex™ A7 Processor
UTK-615DP with Intel® Celeron® J1900 Processor



Features

- Compact and lightweight for convenient installation in space-limited environments
- Colorful eye-catching LED indicators ensure intuitive operation
- Modularized design allows for easy upgrades and function expansion
- Can be flexibly configured for various field applications and scenarios
- Multiple mounting options for easy installation
- Remote device control and management
- Support DeviceOn/iService software for remote device management



DeviceOn/iService

Introduction

Advantech UTK-615 is an indoor mini self-service kiosk equipped with a 15.6" touchscreen, QR code scanner, NFC reader, and receipt printer, and can be flexibly configured for a wide range of self-service applications. Built for easy installation in environments with limited space, UTK-615 is compatible with various mount options and features a built-in battery module that eliminates complex wiring and enables mobile operations. Moreover, the UTK-615 kiosk supports most popular payment methods, making it the ideal mobile computing solution for rapid deployment at exhibitions, concerts, and tradeshows.

Moreover, UTK-615 is equipped with Advantech's DeviceOn/iService software, which is a next-generation unified device management solution based on the WISE-DeviceOn platform. With support for batch operations and multi-device control, DeviceOn/iService enables easy device configuration and deployment for convenient remote device management.

Specifications

		UTK-615AP	UTK-615DP
System	Processor	Rockchip ARM Cortex™-A17 RK3288 quad-core processor, up to 1.6 GHz	Intel® Celeron® J1900 2.0GHZ, Turbo Boost up to 2.42GHZ
	Memory	2GB of DDR3L 1333MHz	DDR3L 1333MHz SO-DIMM 4GB
	Storage	8GB of on board eMMC	mSATA 2.0 128 GB SSD
	Network (LAN)	1 x 10/100/1000 Mbps	1 x 10/100/1000 Mbps
	Network (WLAN)	IEEE 802.11ac/a/b/g/n compliant	IEEE 802.11ac/a/b/g/n, WiFi Compliant
	Bluetooth	Bluetooth 4.2	Bluetooth 4.0
	Stereo Speaker	2 x 2W	
	I/O	1 x Micro SD 1 x SIM 1 x USB 2.0 1 x RS-232 COM	N/A N/A 1 x USB 2.0 1 x RS232 COM port
Mechanical	Dimensions (W x H x D)	275.8 x 594.5 x 95 mm/10.85 x 23.4 x 3.74 in	
	Weight	5 kg/11.02 lb	
LCD Panel	Size/Type	15.6" TFT LCD with LED backlight	
	Brightness	220 cd/m ²	
	Resolution	1920 x 1080 max.	
	Color	16.7M	
	Contrast	1000:1	
Touchscreen	Viewing Angle	178°/178°	
	Type	Projected capacitive touch	
OS Support	Light Transmission	80% ± 2%	
	Controller	USB interface	
	Operation System	Android 8.1	Windows 10
Environmental	Operating Temperature	0 ~ 40 °C/32 ~ 104 °F	
	Relative Humidity	10 ~ 95% @ 40 °C/104 °F non-condensing	
	Certification	CE, FCC, CCC	
Power Supply	Power Input	12V _{dc} , 5A	
Peripherals	NFC	RFID/NFC module	
	Smart Card Reader	Smart card reader with USB connection (optional)	
	Camera	720p web camera module Structured-light 3D scanner (optional)	
	Scanner	2D QR code scanner	
	Printer	58 mm thermal printer (optional) 80 mm thermal printer (default)	
	LTE + GPS	LTE + GPS communication module (optional)	
	Battery Pack	8400 mAh battery pack (optional)	

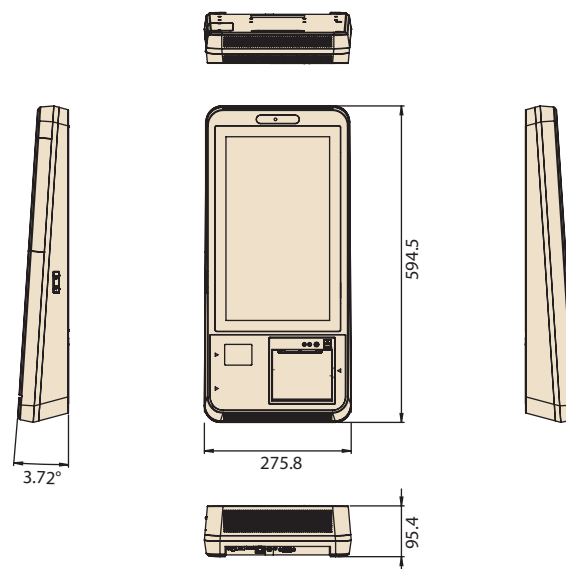
Specifications (Cont.)

DeviceOn/iService Remote Device Management	Operating System	Android 8.1	Windows 10
	Common Controls (Reboot, Shutdown)	✓	✓
	Remote desktop	✓(VNC)	✓(VNC)
	Device-Specific Controls (Audio)	✓	✓*
	Connection Status	✓	✓
	Hardware Status	✓	✓*
	Hard Disk Status		✓*
	Batch Operation Support		✓
	OTA Storage Management	Local blob	FTP
	OTA Software Updates	✓	✓
	Software Watchlist	✓	✓
	Software Start/Stop	✓	✓*
	Kiosk Mode	✓	
	*Dependent on device model	Peripherals Watchlist	✓

Note: DeviceOn/iService software must be downloaded from the Advantech website at <https://www.advantech.com/search/?q=DeviceOn%2FiService&st=support&sst=Utility>

Dimensions

Unit: mm



Ordering Information

Part Number	Description
UTK-615AP-VFB80	15.6" display with PCAP touchscreen, ARM RK3288 processor, 2GB RAM, 8GB flash, camera, scanner, Wi-fi/Bluetooth, NFC reader, 80 mm thermal printer, Android 8.1, black
UTK-615AP-VFW80	15.6" display with PCAP touchscreen, ARM RK3288 processor, 2GB RAM, 8GB flash, camera, scanner, Wi-fi/Bluetooth, NFC reader, 80 mm thermal printer, Android 8.1, white
UTK-615DP-VFW81	15.6" display with PCAP touchscreen, Intel J1900 processor, 4GB RAM, 128GB SSD, camera, scanner, Wi-fi/Bluetooth, NFC reader, 80 mm thermal printer, Win 10, White
UTK-615DP-VFB81	15.6" display with PCAP touchscreen, Intel J1900 processor, 4GB RAM, 128GB SSD, camera, scanner, Wi-fi/Bluetooth, NFC reader, 80 mm thermal printer, Win 10, Black

Accessories

Part Number	Description
ASK-TBSD-WS2710A01	VESA 75x75, 100x100, support ≤27", max. support 20kg, Single carton, White color
ASK-TBSD-BS2710A01	VESA 75x75, 100x100, support ≤27", max. support 20kg, Single carton, Black color
ASK-MNT-NMBLA10AC0	Wall Mount, 75x75, 100x100 mm, max. support 20kg, Single box, black color
96CB-POEWR-B-1.8M1	Power cable, CCC, 3P, 180 cm (China)
17AP164900518011	Power cable, CEE, 7/16+C13, 10A/16A, 250V, 180 cm (CE)
1700013977	Power cable, CCC, 3P, 10A, 250V, 200 cm (CCC)
1702002600	Power cable, UL/CSA, 3P, 10A, 125V, 180 cm (USA)
1702002605	Power cable, CE, 2P, 10A, 250V, 183 cm (EU)
1700001714	Power cable, BSMI, 3P, 7A, 125V, 18AWG, 180 cm (BSMI)
1700000237	Power cable, PSE, 3P, 12A, 125V, 180 cm (Japan)
1700018704	Power cable, BSI, 3P, 10A, 250V, 180 cm (UK)

DeviceOn/iService

Unified Remote Device Management Software



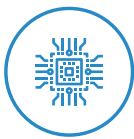
Features

- Supports Advantech devices equipped with Windows, Android, and Linux OS
- Flexible device, location, user, and permissions management
- Enables remote monitoring and control of hardware, software, and peripherals
- Supports over-the-air (OTA) firmware and software updates
- Ensures quick, easy, and secure device onboarding
- RESTful APIs for third-party system integration

Introduction

Advantech's DeviceOn/iService is a next-generation unified device management solution based on the WISE-DeviceOn platform. Designed to enable centralized monitoring and remote management, DeviceOn/iService supports Advantech devices equipped with Windows, Linux, or Android operating systems. The software also supports the management of applications and integrated peripherals, such as a barcode scanner, card reader, camera, and printer. Users can remotely access and control connected devices, take screenshots, rollout OTA upgrades, and use remote desktop capabilities for troubleshooting from any location at any time. Moreover, DeviceOn/iService supports batch operations to facilitate the management of multiple devices simultaneously for easy and convenient device configuration and deployment.

Total Management



Devices & Hardware

- Windows, Linux, Android
- Hardware, storage, battery



Software & Peripherals

- Software monitoring & access
- Screens, USB devices, printers



Open for Expansion

- Peripheral integration
- Open APIs for integration

Remote Access



Real-Time Monitoring

- Connection/hardware status
- Software/peripheral status
- Failure notifications



Remote Controls

- Power controls
- Audio, backlight controls
- Software controls



Troubleshooting

- Screenshots
- Remote desktop support

Operational Efficiency



OTA updates

- System/software updates
- File repository management
- App store



Batch Controls

- 1-to-many batch reboot, etc.
- Time-saving tasks



Setup Booster

- Software/peripheral watchlist
- Roles, rule templates

Note: Some functions may vary according to the product

System Architecture

