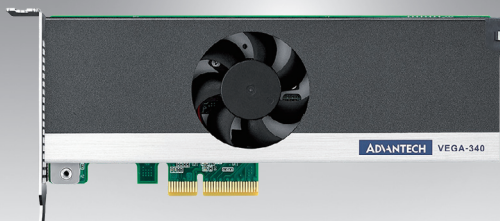


# VEGA-340

## PCIe x4 Intel® Movidius™ Myriad™ X Edge AI Module

**NEW**



### Features

- Four/Eight Intel® Movidius™ Myriad™ X VPU onboard
- Hardware acceleration for common deep neural networks
- Scalable for multiple video stream edge inference
- 10 times the performance compared to previous generation
- Intel® OpenVINO™ toolkit for inference performance optimization
- Edge AI Suite with GUI for quick evaluation



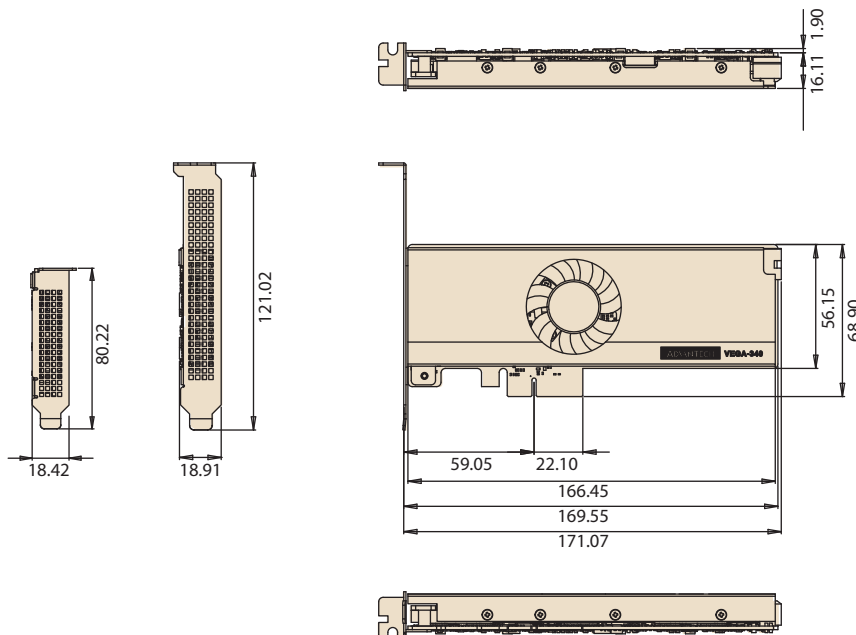
CE FCC

### Specifications


	VEGA-340-04A1	VEGA-340-08A1
SoC	Four Intel® Movidius™ Myriad™ X MA2485	Eight Intel® Movidius™ Myriad™ X MA2485
Signal Interface	PCI Express x4 Compliant with PCI Express Specification V2.0	
Power Consumption	Idle Mode. 6.7W Heavy Loading. 16.8W	Idle Mode. 9.6W Heavy Loading. 28W
Cooling	Active fan 12V, 2 pin PH 1.25mm connector	
Operating Temperature	-20 ~ 60 °C	
Power Source	Default power source from PCIe gold finger 6-pin connector for 12V <sub>DC</sub> input by cable	
Dimensions	171.07 x 68.9 mm	
Operating Systems	Windows 10 Enterprise 64 bit Ubuntu 18.04. LTS, 64-bit	
OpenVINO	OpenVINO 2019 R2 or latest	

### Dimensions

Unit: mm




Edge AI Suite Built-in 



**OpenVINO™ Toolkit**

- Model Optimizer
- Inference Engine
- Supports TensorFlow, Caffe, mxnet, ONNX



**Pre-Trained Models**

- Facial Detection
- Pedestrian Tracking
- Human Pose Estimation



**Deployment Wizard**

- AI Model Launcher
- Deployment Reference
- CPU/VPU Monitoring

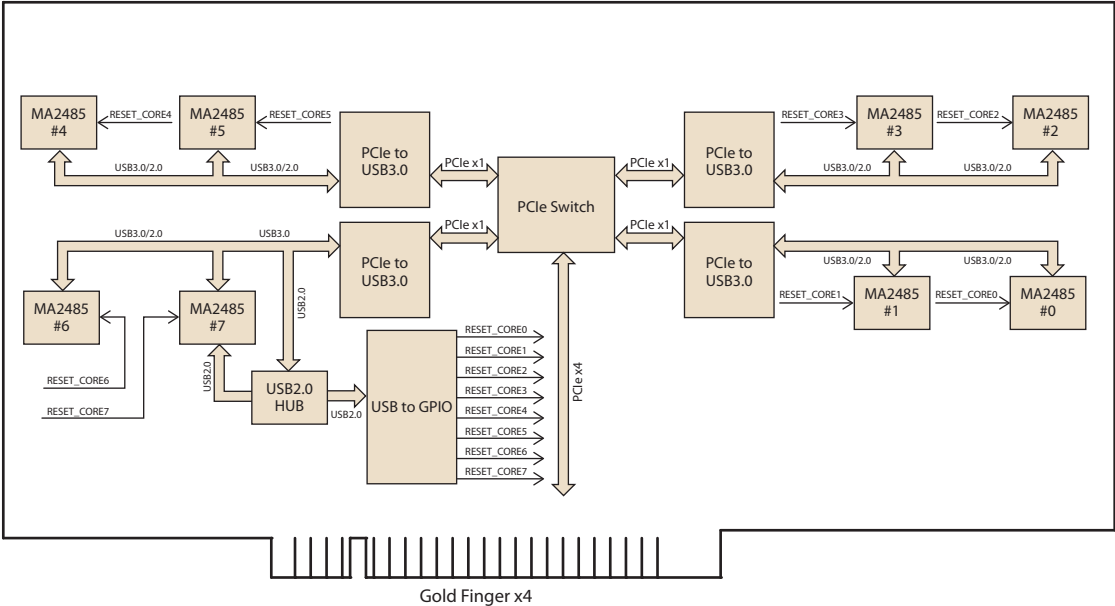


**3rd Party AI SDK**

- Vehicle Detection
- License Plate Recognition
- Optical Inspection

(Supported by project)

**Block Diagram**



**Ordering Information**

Part Number	Description
VEGA-340-04A1	PCIe x4 Edge AI acceleration module with Four Intel Myriad X
VEGA-340-08A1	PCIe x4 Edge AI acceleration module with Eight Intel Myriad X