

VUE-3270

27" Medical Touch Monitor

Preliminary



Features

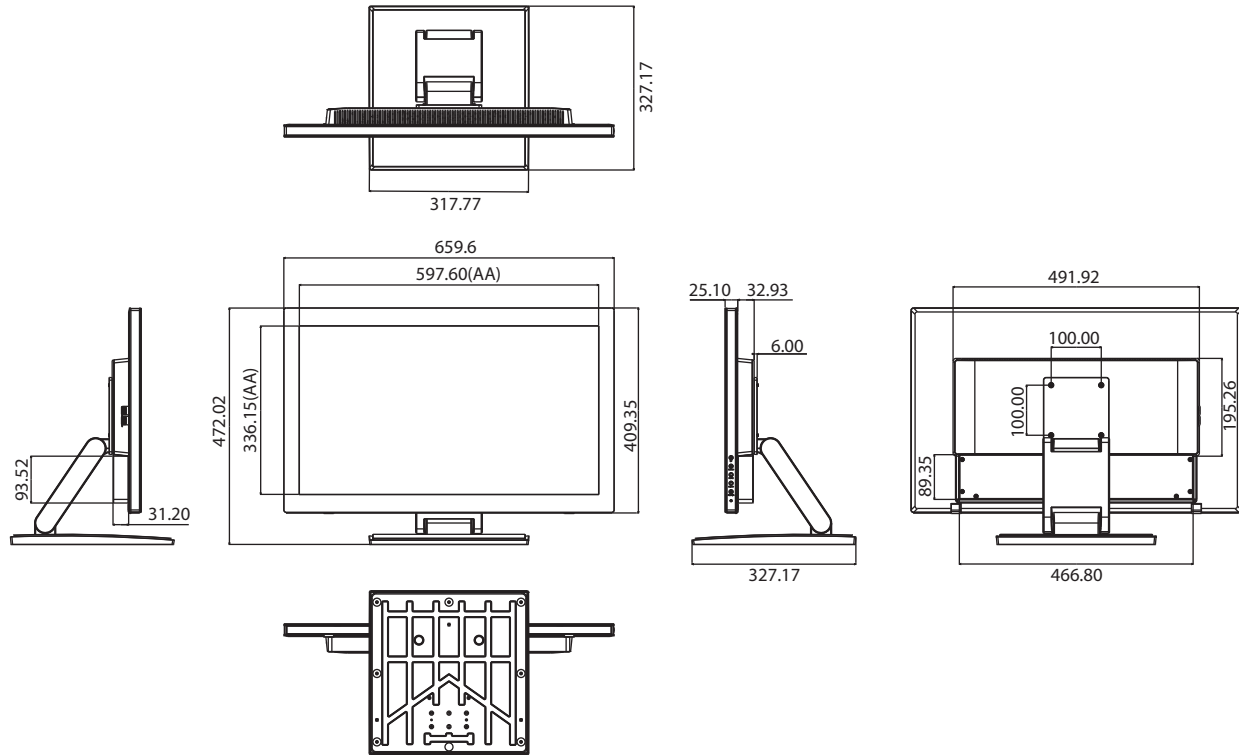
- 27" active screen size with full-flat cover glass
- Anti-reflection and anti-smudge (AR+AS) treatment on screen for comfortable viewing experience and clean environment
- Front IP65 water-proof rating and IK08 high-level impact protection
- Adopts industrial-grade components for guaranteed performance
- Support 10-point touch function (PCAP technology)
- Excellent touch noise immunity well-suited for rugged applications (CS 10V)
- Compliant with many touch methods including fingers, glove, and stylus
- Built-in multiple I/O interfaces for diverse media connectivity
- 6-axis color adjustment (Green/Red/Blue/Cyan/Magenta/Yellow) for high level and more accuracy customized image
- Compliant with IEC/EN 60601-1-2 EMC, IEC/EN 60601-1, UL60601-1 standards for medical

Specifications

Display	Active Screen Size		27.0 inch
	Resolution		1920 x 1080 (FHD)
	Brightness		300nits (LCM panel, typ.)
	Contrast Ratio		3000:1
	Aspect Ratio		16:9 (Wide)
	Viewing Angle		89° / 89° / 89° / 89° (typ.)
	Backlight Life (hours)		40,000 (typ.)
Touch	Touch Type		Projected Capacitive Touch (PCAP)
	Touch Function		10 points
	Touch Interface		USB
	Touch Method		Finger/Glove
	Stylus		Active Pen (optional accessory)
Connectivity	Input	Video	VGA x 1, HDMI x 1, DVI-D x 1, DisplayPort x 1
		Audio	Audio line in x 1
		Control	USB3.0 typeB x 1 (for touch function)
		Others	USB3.0 typeA x 2
	Output	Video	N/A
		Audio	2W+2W Internal Speaker
System	OSD Language		English, Spanish, French, Portuguese, Russian, Simplified Chinese, Traditional Chinese, Korean
	OS function		Hot key (ON/OFF, LEFT, RIGHT, MENU, AUTO)
Power	Power Type		External AC to DC power adapter, 19V, 65W
	Power Input-AC		100-240V _{AC} , 50-60Hz, 3.15A
	Power Consumption		ON Mode< 65W; Standby Mode< 0.5W; OFF Mode< 0.3W
Environment	Operating	Temperature	0°C ~ 40°C
		Humidity	10% to 85% (non-condensing)
	Storage	Temperature	-20 ~ 60 °C
		Humidity	5% to 80% (non-condensing)
Mechanical Specification	Housing Material		Texture (Black/White)
	Waterproof Rating		Front IP65
	VESA Compatibility		100 x 100 mm
	Side mount screw hole		N/A
	Hand Hoder/Stand		Yes, with hinge stand
	Cable Management		N/A
	Dimensions (W x H x D)	Physical with stand	660 x 472 x 63 mm
		Packing	780 x 534 x 217 mm
	Weight	Net	11 kg
Gross		13.4 kg	
Installation	Installation rotation		Landscape
	Mounting on a wall		100 x 100 mm, VESA grid
	Mounting with stand/arm		100 x 100 mm, VESA grid
	Mounting through bracket		N/A
	Extending PC/peripherals		N/A
Certificate	IEC/EN 60601-1, UL60601-1, IEC/EN 60601-1-2(EMC), CE, FCC, UKCA, CCC, BSMI		
Warranty	2-year (1-year for panel)		

Dimensions

Unit: mm



Ordering Information

Part Number		Description	Packing List
Black housing	White housing		
VUE-3270-FD30PA-A6	VUE-3270-FD30PA-A5	Advantech 27" Full HD PCAP Touch Monitor, Medical-grade with DICOM (incl. Japan and Taiwan Power Cord)	<ul style="list-style-type: none"> ▪ Power Cord (1.5M, Black) ▪ Power Adaptor (1.5M, Black) ▪ VGA Cable (1.5M, Black) ▪ HDMI Cable (1.5M, Black) ▪ DisplayPort Cable (1.5M, Black) ▪ DVI Cable (1.5M, Black) ▪ USB Cable (1.8M, Black) for touch ▪ Audio Cable (1.5M, Black) ▪ Hinge Stand (Black/White housing) ▪ Startup Manual (Paper)
VUE-3270-FD30PC-A6	VUE-3270-FD30PC-A5	Advantech 27" Full HD PCAP Touch Monitor, Medical-grade with DICOM (incl. China Power Cord)	
VUE-3270-FD30PX-A6	VUE-3270-FD30PX-A5	Advantech 27" Full HD PCAP Touch Monitor, Medical-grade with DICOM (incl. EU, UK, and US Power Cord)	

Optional Accessories

Part Number	Description
960T-A15DEE-B0	Active Stylus Pen for VUE-2000 and VUE-3000 series, Black