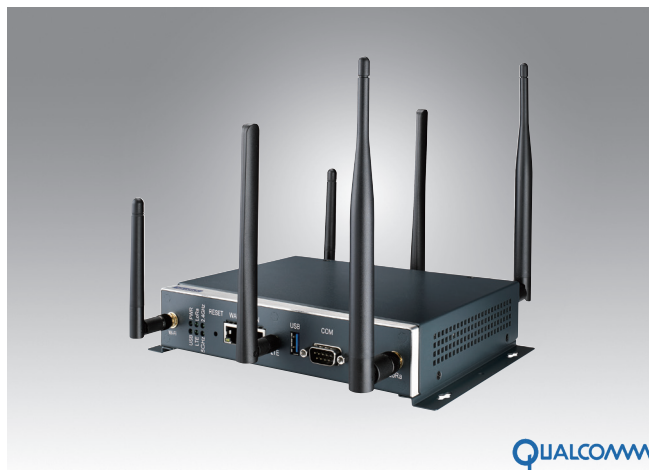


WISE-3610Z

Wireless IoT EPD Network Gateway



Features

- Qualcomm Atheros Quad-Core ARM Cortex-A7 SoC
- WAN x1 / LAN x1 Gigabit Ethernet
- OpenWRT BSP Embedded
- Web UI User Interface

Introduction

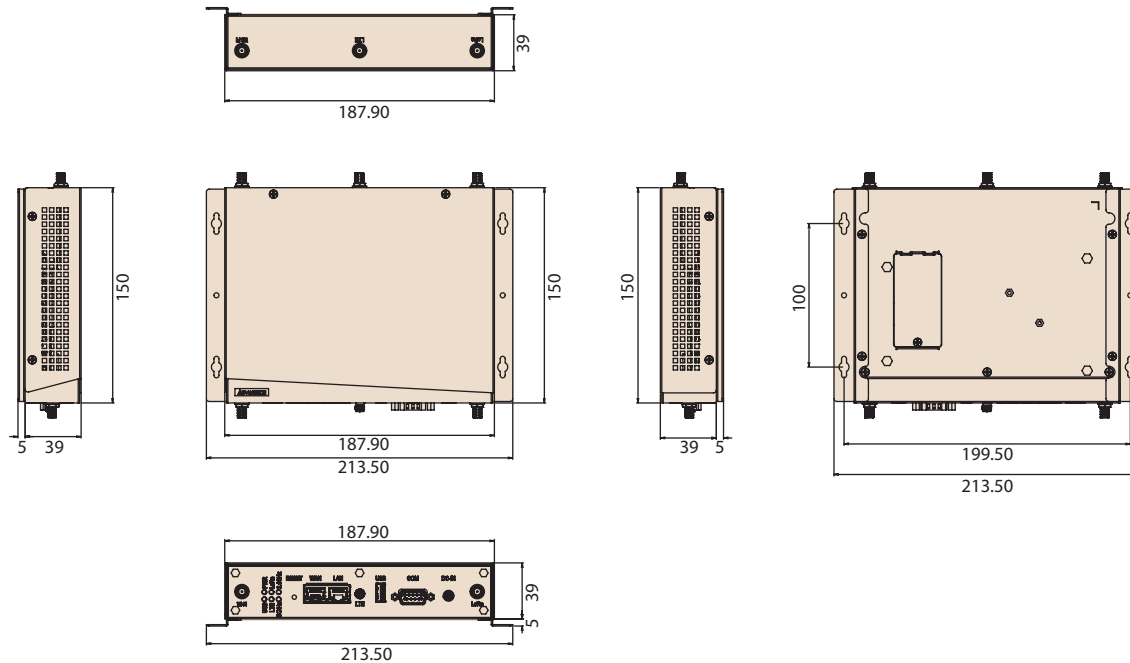
WISE-3610Z is a Qualcomm ARM Cortex A-based hardware platform, operating at OpenWRT, which is described as a Linux distribution for embedded devices. The Advantech WISE-3610Z Industrial Router is an Advantech IoT gateway designed for smart cities and Industry 4.0 applications that leverages wireless EPD technology. The wireless EPD gateway solution includes WISE-3610Z and WISE-1840 and is ready for use in software packages and GUI to help users quick deploy EPD applications.

Specifications

Processor System	CPU	QCA Quad-core ARM Cortex A7 CPU 716 MHz	
	RAM	DDR3L 256MB	
	Flash	128MB	
Ethernet	WAN	1 10/100/1000 Mbps	
	LAN	1 10/100/1000 Mbps	
Connectivity	Zigbee like	IEEE 802.15.4	up-to 400 EPD-023 or EPD-053 support
Expansion	SD socket	1 x Micro SD socket	
	mini PCIe	1 x Full size mini PCIe slot I/O for download link WISE-1840	
I/O (Edge)	USB	1 x USB 3.0 type A	
	Antenna	SMA Connector	Wi-Fi: 2 x RP-SMA
	LED	6 x PWR/Wi-Fi 2G/USB/WWAN	
	Button	1 x Reset button	
Power	Power Supply Voltage	9 - 24V	
	Power Type	DC-in	
	Power Consumption	18 Watt	
Environment	Operational Temperature	-20 ~ 70 °C	
	Operating Humidity	5 ~ 95% Relative Humidity, non-condensing	
Mechanical	Dimensions (W x D x H)	187.9mm x 150mm x 39mm	
Operating System	OpenWRT Barrier Breaker (Linux (3.14))		
Network Connectivity	Northbound : WAN Southbound : WISE-1840		
Edge Server	ePaper Manager on ARK2250L		
Certification	TELEC, CE/FCC/IC Class B, SRRC, VCCI, BSMI, NCC		

Dimensions

Unit: mm



Ordering Information

Model Name	Description
WISE-3610ZOS-41B1J	WISE-3610Z Private IEEE802.15.4 Network IoT Gateway for JP
WISE-3610ZOS-41B1N	WISE-3610Z Private IEEE802.15.4 Network IoT for NA
WISE-3610ZOS-41B1T	WISE-3610Z Private IEEE802.15.4 Network IoT for TW
WISE-3610ZOS-41B1C	WISE-3610Z Private IEEE802.15.4 Network IoT for China

Packing List

Part No.	Description	Quantity
96PSA-A36W12R1	ADP A/D 100-240V 36W 12V	1
1750008001-01	Antenna 2.4Ghz / 5Ghz SMA Male Reverse	2
1960082071N001	Mounting BKT for WISE-3610	2

Related Models

Model Name	Description
WISE-1840	WISE-1840WTB-TD010 coordinator control card in Mini-PCIe form-factor

Optional Items

Part No.	Description
1700001524	Power Cable 3-pin 180cm, USA type
170203183C	Power Cable 3-pin 180cm, Europe type
170203180A	Power Cable 3-pin 180cm, UK type
1700008921	Power Cable 3-pin PSE Mark 183cm
1750008424-01	4G/LTE Antenna Dipole 4dBi Full Band
1750008669-01	4G/LTE RX Diversity Antenna Cable IPEX to IPEX Connector
EWM-C117FL02E	4G/LTE/HSPA+/GPRS Cat.4 module
EWM-C117FL07E	4G/LTE Cat.4 Module for Japan NTT DoCoMo
1750008599-01	LoRa Antenna Dipole 1dBi 863-870 MHz
1750008598-01	LoRa Antenna Dipole 1dBi 902-928 MHz
1750008771-01	LoRa Antenna Dipole 1.5dBi 470-510 MHz