

WISE-DB1500

Development Board for M2.COM Module

Preliminary



CE FCC RoHS COMPLIANT PRODUCT

Features

- Supports M2.COM Module
- 1 RS-232/422/485, 1 USB OTG
- 2 I²C, 1 I²S, 8 GPIO, 2 PWM, 2 ADC
- 1 SD Card Slot
- On Board Humidity/Temperature Sensor

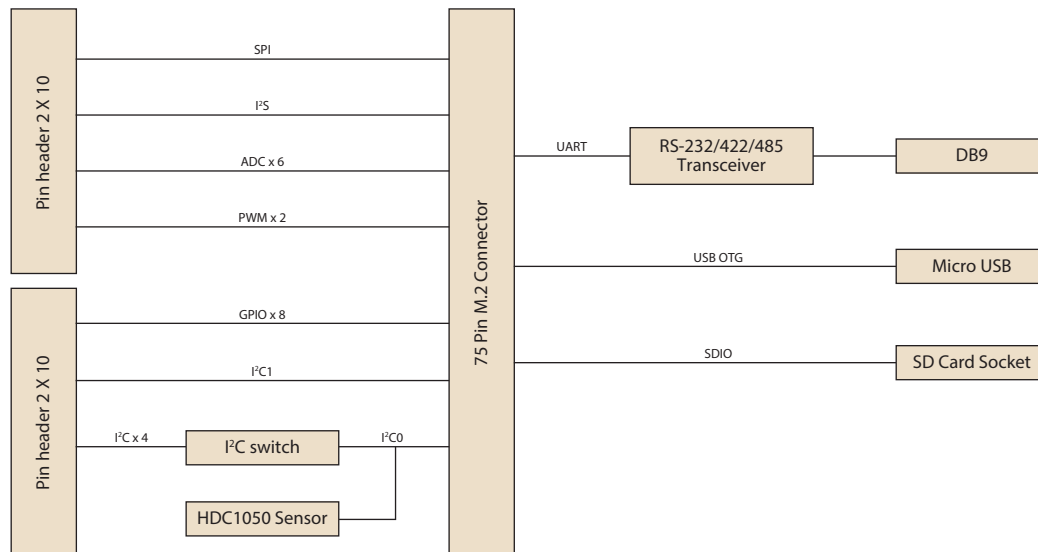
Introduction

WISE-DB1500 is an evaluation carrier board designed for the M2.COM module. It is compatible with the M2.COM module WISE-1520 and has multiple I/O interfaces for evaluation and development. WISE-DB1500 is an ideal development board for evaluating IoT applications, such as sensor nodes, smart metering and control nodes. WISE-DB1500 is released along with M2.COM carrier board design documents: Carrier Board Design Guide, Layout, Schematic Checklist. The reference board schematics are ready for you to start your own carrier board design.

Specifications

Form Factor		Pico-ITX 100 x 72 mm
Compatible Module		M2.COM Module (22 x 30mm Key E)
Display	LCD	-
	VGA	-
	LVDS	-
	HDMI	-
Storage	Flash	-
	SD	1 SD Card Slot
	SATA	-
Ethernet	LAN	-
I/O Interface	UART	1 RS-232/422/485 (by JUMPER setting)
	CANbus	-
	I2C	2 (1 with 1 to 4 port switch)
	I2S	1
	GPIO	8
	PWM	2
	SPI	1
	ADC	6
	USB	1 USB Micro Type B (OTG)
	Camera Input	-
	Audio	-
Sensor	1 Humidity/Temperature Sensor	
Expansion	PCIe slot	-
	SIM slot	-
Indicator and Button	LED	2, Power LED , CB_PWR_ON LED
	Button	2, Reset, Wake Up
	Serial Port	-
	Switch	2, Reconfiguration, RF disable
Power Input	Power	5V
Environment	Operational Temperature	-20 ~ 75° C
	Operating Humidity	5% ~ 95% Relative Humidity, non-condensing
Mechanical	Dimensions	100 x 72 mm

Block Diagram



Ordering Information

Part No.	Description
WISE-DB1500-01A1E	Development Board for M2.COM Module

Optional Accessories

Part No.	Description
XRISC-ADP-10HW-AG	USB Adapter 100-240V 10W 5V/2A